

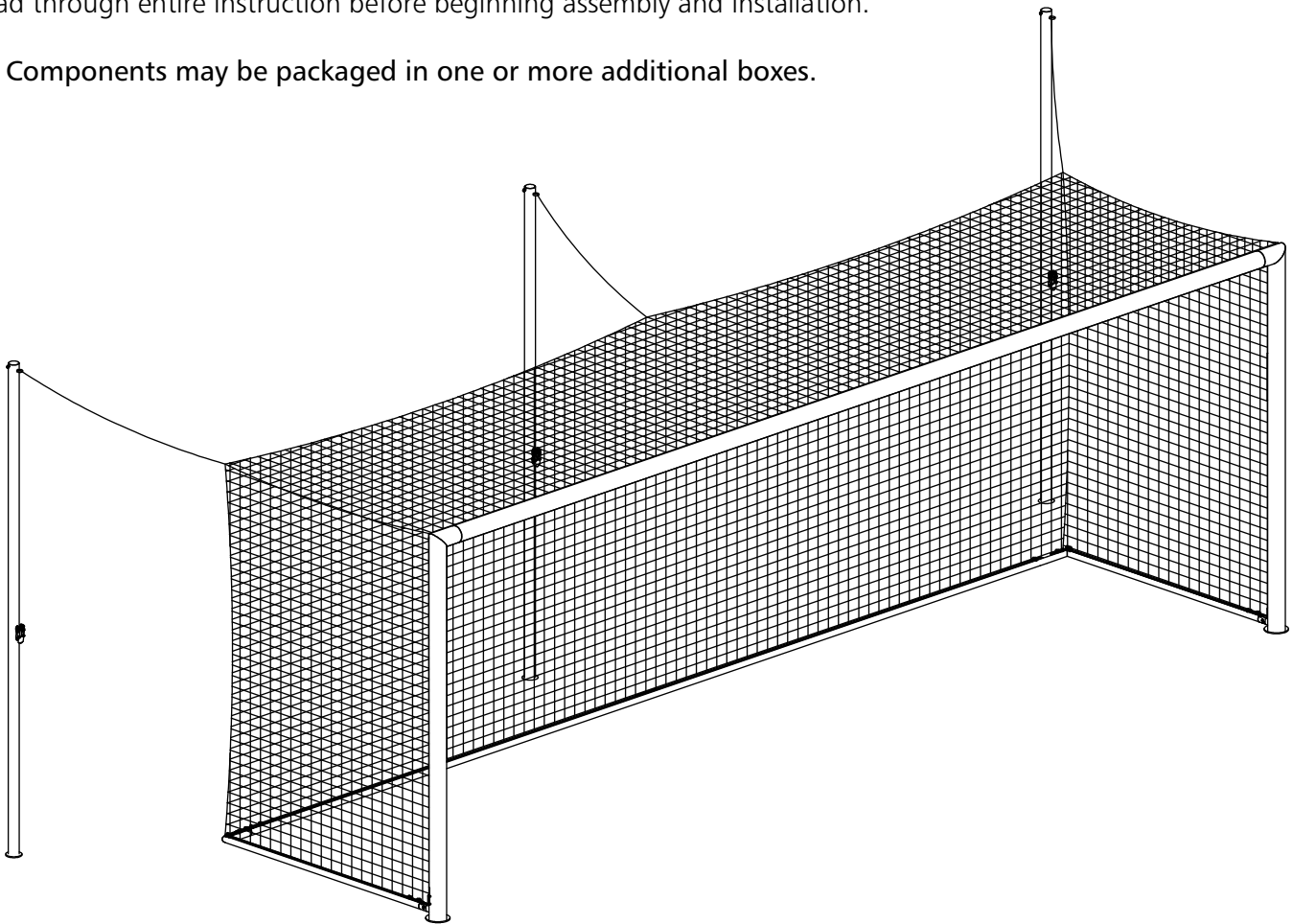


## ASSEMBLY INSTRUCTIONS FOR 2B8 PRO-PREMIER® WORLD COMPETITION SOCCER GOAL

**\*THIS UNIT MUST BE ASSEMBLED AND INSTALLED BY A MINIMUM OF TWO QUALIFIED PERSONS\***

1. Unpack all parts and check for damage that may have occurred during shipping. If damage has occurred, notify Kwik Goal immediately. Lay out all parts. Remove all cardboard and packaging immediately. Wet or damp packaging may damage contents.
2. Read through entire instruction before beginning assembly and installation.

**NOTE:** Components may be packaged in one or more additional boxes.



### **\*\*\*CAUTION\*\*\***

This goal has been designed to be used for the game of soccer only. Goal posts must be anchored **AT ALL TIMES** and shall be secured against overturning. Do not climb on the net or goal framework at any time! All fastenings must be checked to insure they are fully tightened before and after each use of this product. Goal posts not in use must be disassembled and properly stored in a safe, secure area (See included Guidelines for Movable Soccer Goal Safety.). Assembled goal posts should not be left unattended. Remove nets when goals are not in use. Do not use this equipment during the threat of high winds. Goal posts should be checked for safety before and after each use.

All warning and safety labels included with this product must be visible at all times.

Any modifications to this or any Kwik Goal product will void any and all warranties.

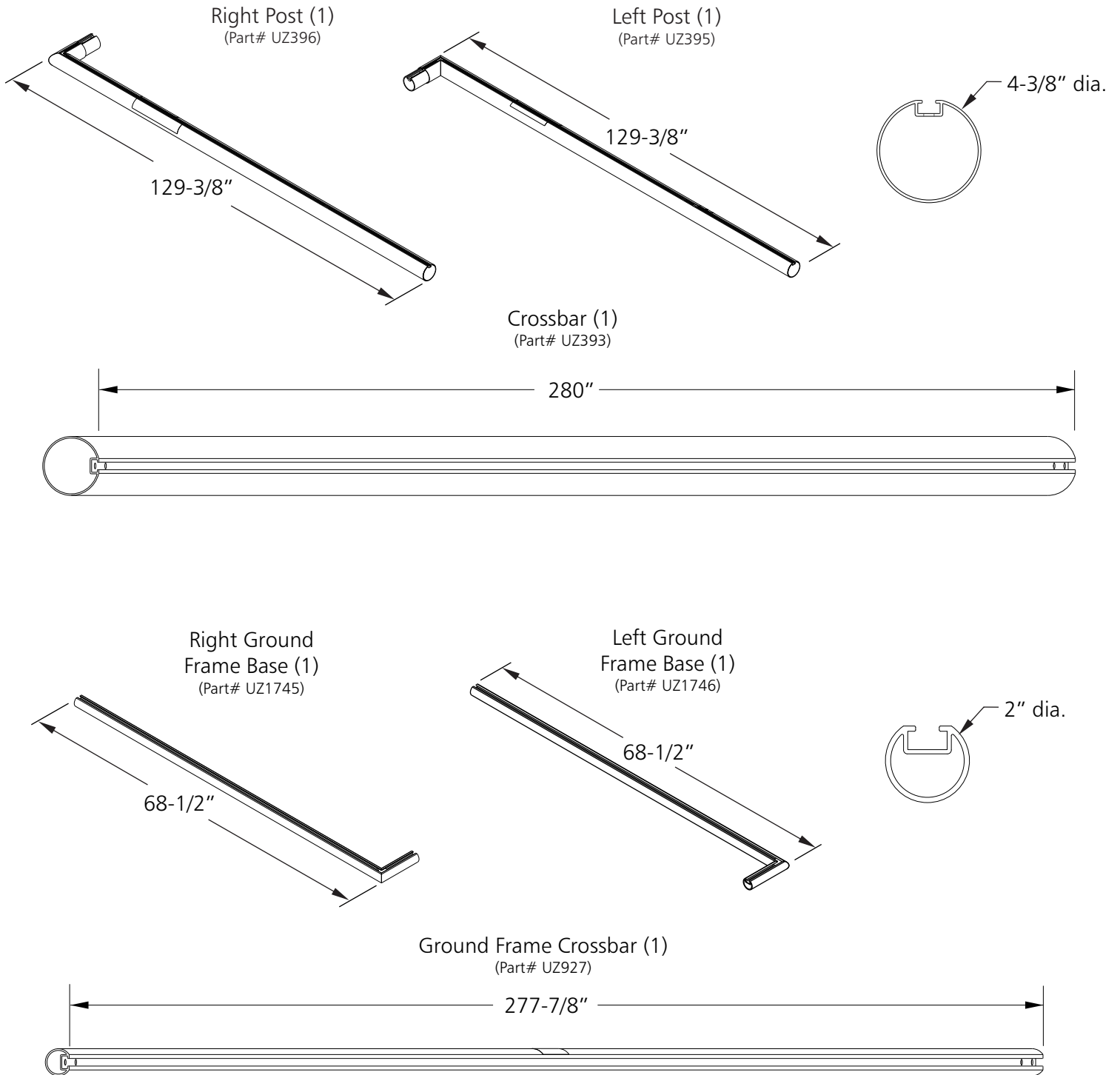


**⚠️ WARNING**

**IMPORTANT GOAL SAFETY INSTRUCTIONS**  
**READ CAREFULLY**

- Check for structural integrity and proper connecting hardware before every use. Replace damaged or missing parts or fasteners immediately.
- Safety/Warning labels must be clearly visible.
- Securely anchor movable soccer goals at ALL times.
- Always instruct players, managers, coaches, trainers, teachers, maintenance workers and all other personnel who might come in contact with the goal, on the safe handling of and potential dangers associated with movable soccer goals.
- Always exercise extreme caution when moving goals and provide adequate manpower to move goals of varied sizes and weights. Movable soccer goals should only be moved by authorized personnel.
- NEVER allow anyone to climb on the net or goal framework.
- Movable soccer goals should only be used on LEVEL fields, NEVER on a slope or hill area.
- Remove nets when goals are not in use.
- Most of the tip-over injuries occurred when goals were unattended. Anchor or chain one goal to another or to nearby fence posts, dugouts, or any other similar sturdy fixture when not in use. If this is not practical, store movable soccer goals in a place where children cannot have access to them.
- Fully disassemble goals for seasonal storage.

Parts

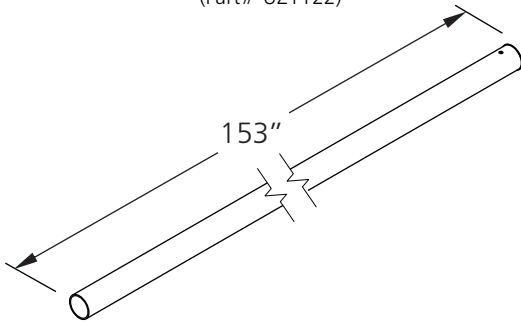


**\*\*\*CAUTION\*\*\***

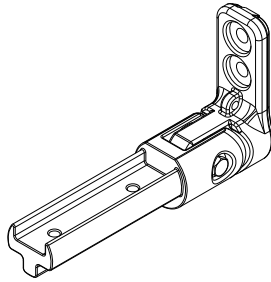
This goal has been designed to be used for the game of soccer only. Goal posts must be anchored AT ALL TIMES and shall be secured against overturning. Do not climb on the net or goal framework at any time! All fastenings must be checked to insure they are fully tightened before and after each use of this product. Goal posts not in use must be disassembled and properly stored in a safe, secure area (See included Guidelines for Movable Soccer Goal Safety.). Assembled goal posts should not be left unattended. Remove nets when goals are not in use. Do not use this equipment during the threat of high winds. Goal posts should be checked for safety before and after each use. All warning and safety labels included with this product must be visible at all times. Any modifications to this or any Kwik Goal product will void any and all warranties.

Parts continued:

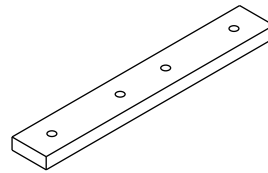
Back Pole (3)  
(Part# UZ1122)



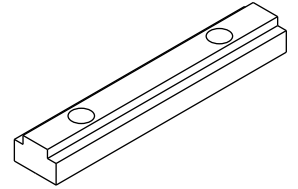
Ground Frame Hinge (2)  
(Part# PT656 pack of 2)



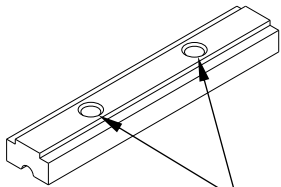
Ground Frame  
Connector Plate (2)  
(Part# UZ928)



Channel Spacer (8)  
(Part# UZ812)

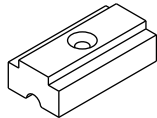


Metal Channel Spacer (2)  
(Part# UZ691)

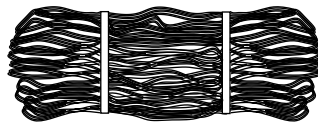


Threaded Holes

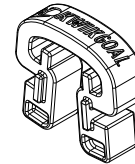
T-Spacer (2)  
(Part# WZ442)



Net (1)  
(Part# 3B1502)



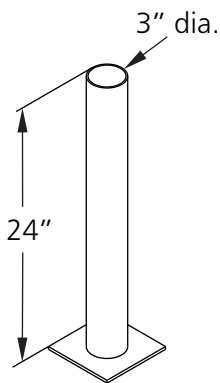
Net Clip (80)  
(Part# 10B3101  
PACK OF 100)



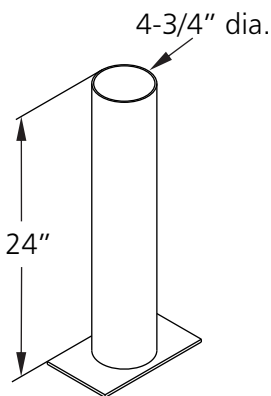
Net Fastener (1)  
(Part# MNF-1  
ROLL OF 12FT)



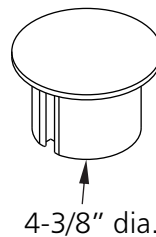
Back Pole Ground  
Sleeve (3)  
(Part# UZ463)



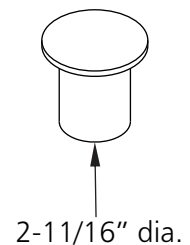
Post Ground Sleeve (2)  
(Part# UZ65)



Post Ground Sleeve Cap (2)  
(Part# UZ66)



Back Pole Ground  
Sleeve Cap (3)  
(Part# UZ56)

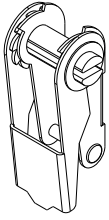


**\*\*\*CAUTION\*\*\***

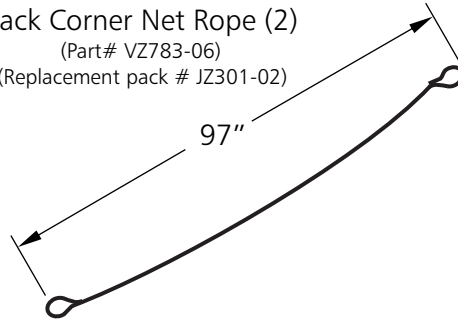
This goal has been designed to be used for the game of soccer only. Goal posts must be anchored AT ALL TIMES and shall be secured against overturning. Do not climb on the net or goal framework at any time! All fastenings must be checked to insure they are fully tightened before and after each use of this product. Goal posts not in use must be disassembled and properly stored in a safe, secure area (See included Guidelines for Movable Soccer Goal Safety.). Assembled goal posts should not be left unattended. Remove nets when goals are not in use. Do not use this equipment during the threat of high winds. Goal posts should be checked for safety before and after each use. All warning and safety labels included with this product must be visible at all times. Any modifications to this or any Kwik Goal product will void any and all warranties.

Parts continued:

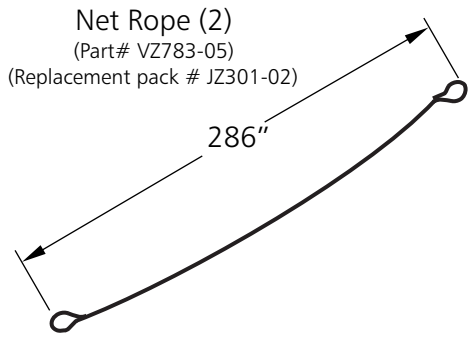
Net Tension Winch (3)  
(Part# VZ232)  
(Replacement pack # 10B5801)



Back Corner Net Rope (2)  
(Part# VZ783-06)  
(Replacement pack # JZ301-02)



Net Rope (2)  
(Part# VZ783-05)  
(Replacement pack # JZ301-02)



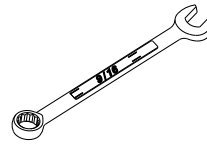
Hardware

**Note:** Hardware may be packaged separately in one or more boxes. Open all packages before beginning assembly.

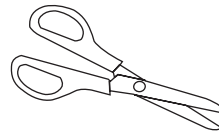
Assembly Tools Required

- 3/8" x 1-1/4" Hex Bolt (Part# TZ59) (16)
- 3/8" x 7/8" Hex Bolt (Part# TZ249) (4)
- 3/8" Lock Washer (Part# TZ65) (20)
- 3/8" Flat Washer (Part# TZ60) (20)
- 1/4" x 1/2" Set Screw (Part# TZ252) (2)
- 1/4" X 1" Hex Bolt (Part# TZ373) (4)
- 1/4" Flat Washer (Part# TZ361) (4)
- 1/4" x 1" Flat Washer (Part# TZ450-001) (4)
- 1/4" Lock Washer (Part# TZ187) (4)
- 1/4" Tie Down Ring (Part# TZ443) (4)
- Ground Frame Hinge Pack (Part# PT656) (1)
  - 3/8" x 7/8" Hex Bolt (Part# TZ249) (4)
  - 3/8" Square Nut (Part# TZ247) (4)
  - 3/8" Lock Washer (Part# TZ65) (4)
  - 3/8" Flat Washer (Part# TZ60) (4)
- Tension Strap Kit (Part# 10B5801) (3)
  - Snap Link (Part# VZ189) (1)
  - Nylon Strap (\* See Below) (1)
  - Net Tension Winch (\*\* See Below) (1)
  - 5/16" Lock Nut (Part# TZ5) (1)
  - 5/16" Flat Washer (Part# TZ4) (2)
  - 5/16" x 3-1/4" Hex Bolt (Part# TZ206) (1)
  - 3/8" x 3-1/4" Eye Bolt (Part# TZ198) (1)
  - 3/8" Lock Nut (Part# TZ197) (1)
  - 3/8" Flat Washer (Part# TZ189) (1)

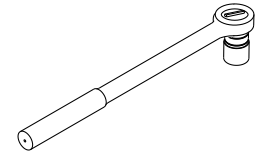
7/16", 1/2", & 9/16"  
Wrenches



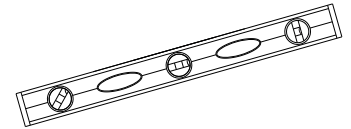
Scissors



Ratchet with  
7/16", 1/2", & 9/16"  
Sockets



Level



Allen Wrench  
1/8"



\*Replacement nylon straps available in set of 3 straps (Part#VZ607)

\*\* Replacement parts available in Tension Strap Kit (Part# 10B5801)

Materials Required (PER GOAL)

- 1.0 cubic yard - Concrete
- 0.6 cubic yard - Clean Stone (1/4" - 3/4")
- Tape/Plastic Wrap (To cover exposed parts before pouring concrete)

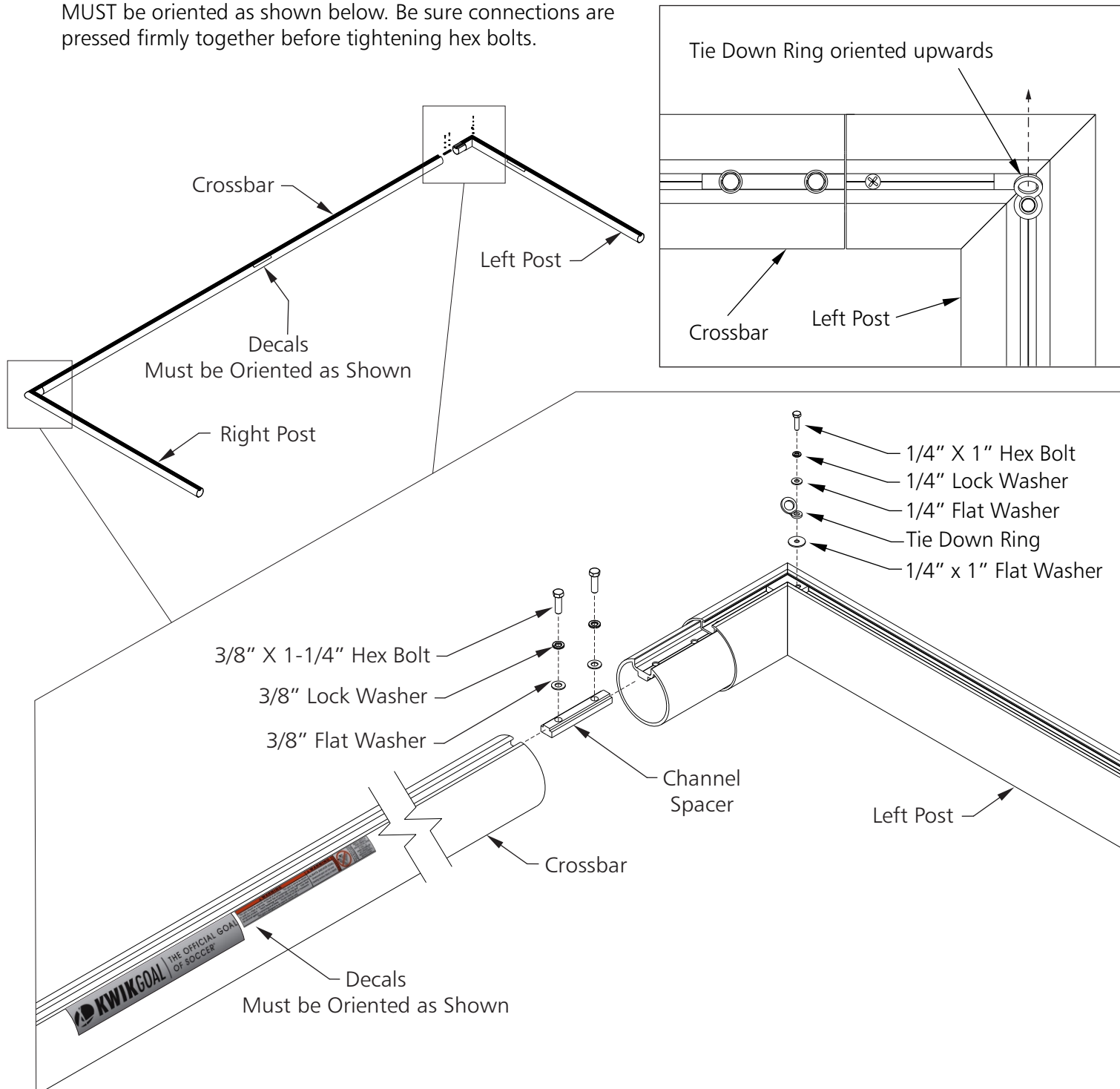
**\*\*\*CAUTION\*\*\***

This goal has been designed to be used for the game of soccer only. Goal posts must be anchored AT ALL TIMES and shall be secured against overturning. Do not climb on the net or goal framework at any time! All fastenings must be checked to insure they are fully tightened before and after each use of this product. Goal posts not in use must be disassembled and properly stored in a safe, secure area (See included Guidelines for Movable Soccer Goal Safety.). Assembled goal posts should not be left unattended. Remove nets when goals are not in use. Do not use this equipment during the threat of high winds. Goal posts should be checked for safety before and after each use.

All warning and safety labels included with this product must be visible at all times.

Any modifications to this or any Kwik Goal product will void any and all warranties.

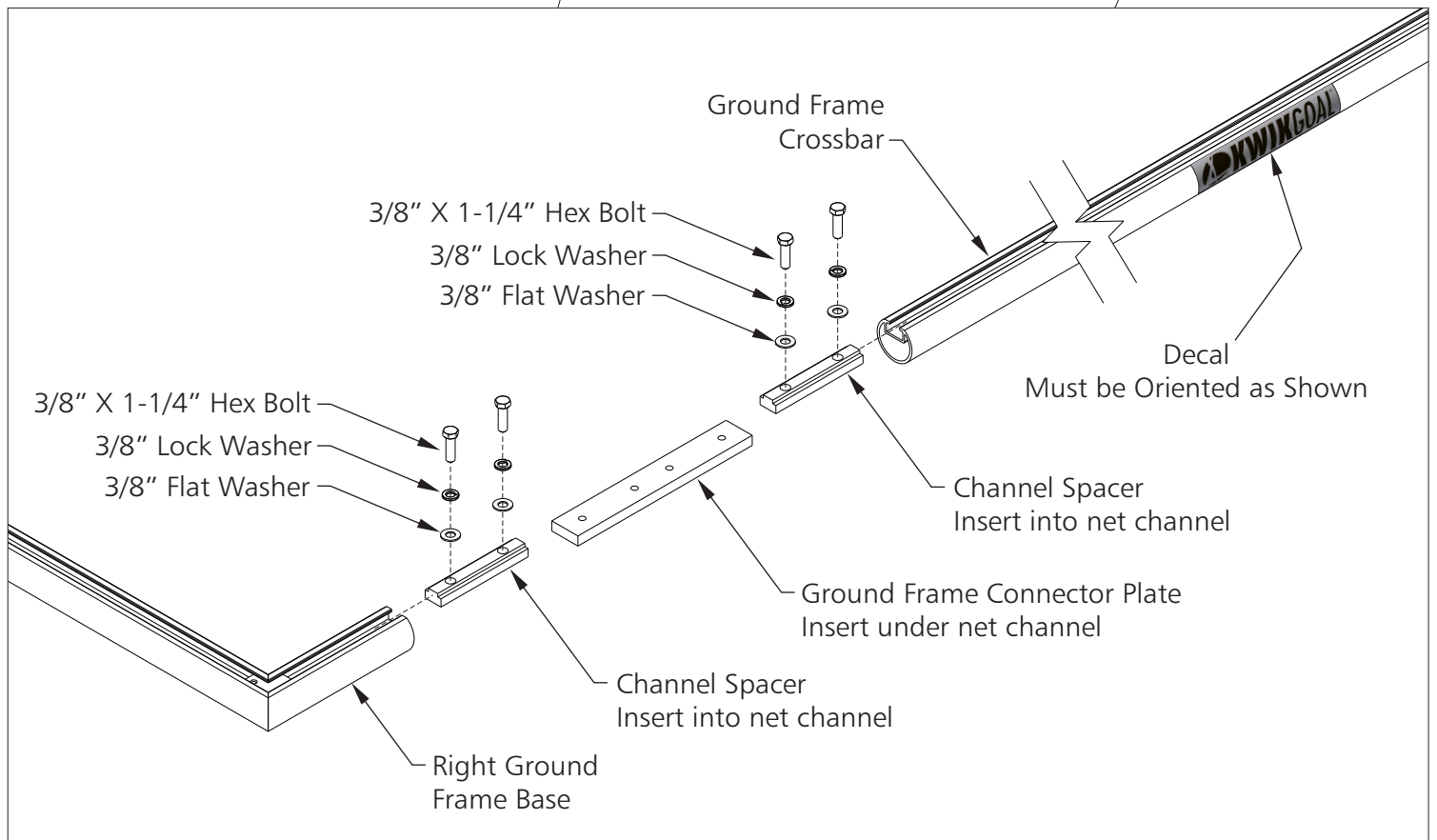
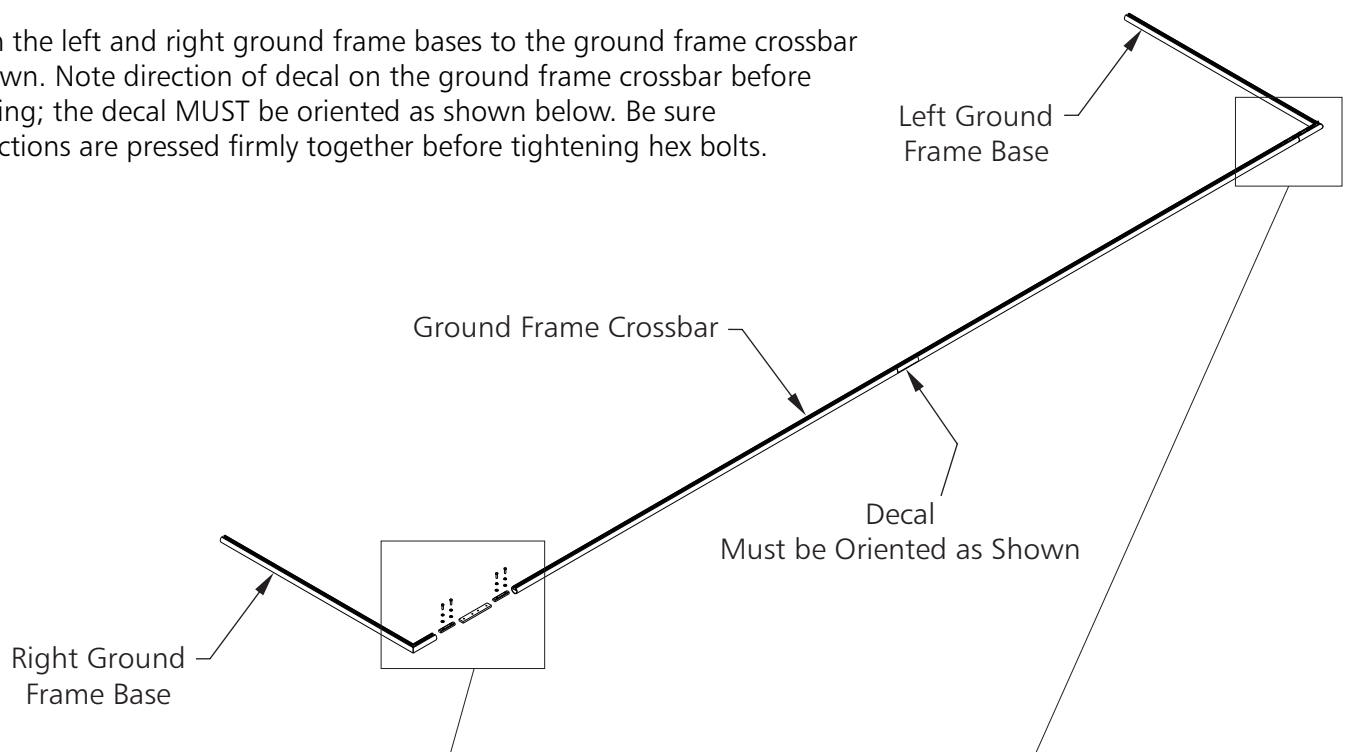
- Attach the tie down rings to the left and right posts as shown below and then connect the posts to the crossbar. Note direction of decals on crossbar before fastening; the decals MUST be oriented as shown below. Be sure connections are pressed firmly together before tightening hex bolts.



**\*\*\*CAUTION\*\*\***

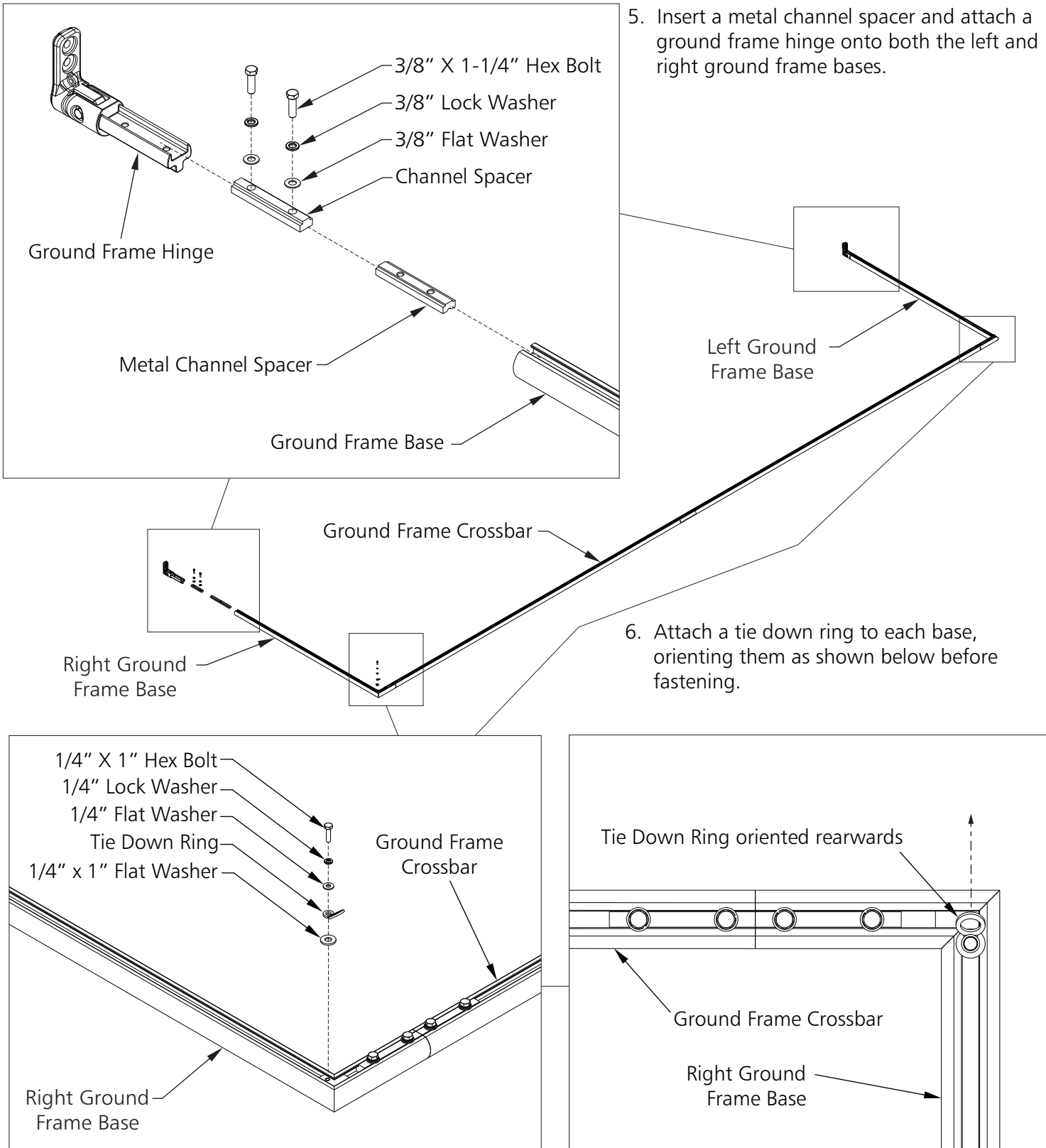
This goal has been designed to be used for the game of soccer only. Goal posts must be anchored AT ALL TIMES and shall be secured against overturning. Do not climb on the net or goal framework at any time! All fastenings must be checked to insure they are fully tightened before and after each use of this product. Goal posts not in use must be disassembled and properly stored in a safe, secure area (See included Guidelines for Movable Soccer Goal Safety.). Assembled goal posts should not be left unattended. Remove nets when goals are not in use. Do not use this equipment during the threat of high winds. Goal posts should be checked for safety before and after each use. All warning and safety labels included with this product must be visible at all times. Any modifications to this or any Kwik Goal product will void any and all warranties.

4. Attach the left and right ground frame bases to the ground frame crossbar as shown. Note direction of decal on the ground frame crossbar before fastening; the decal **MUST** be oriented as shown below. Be sure connections are pressed firmly together before tightening hex bolts.



**\*\*\*CAUTION\*\*\***

This goal has been designed to be used for the game of soccer only. Goal posts must be anchored **AT ALL TIMES** and shall be secured against overturning. Do not climb on the net or goal framework at any time! All fastenings must be checked to insure they are fully tightened before and after each use of this product. Goal posts not in use must be disassembled and properly stored in a safe, secure area (See included Guidelines for Movable Soccer Goal Safety.). Assembled goal posts should not be left unattended. Remove nets when goals are not in use. Do not use this equipment during the threat of high winds. Goal posts should be checked for safety before and after each use. All warning and safety labels included with this product must be visible at all times. Any modifications to this or any Kwik Goal product will void any and all warranties.



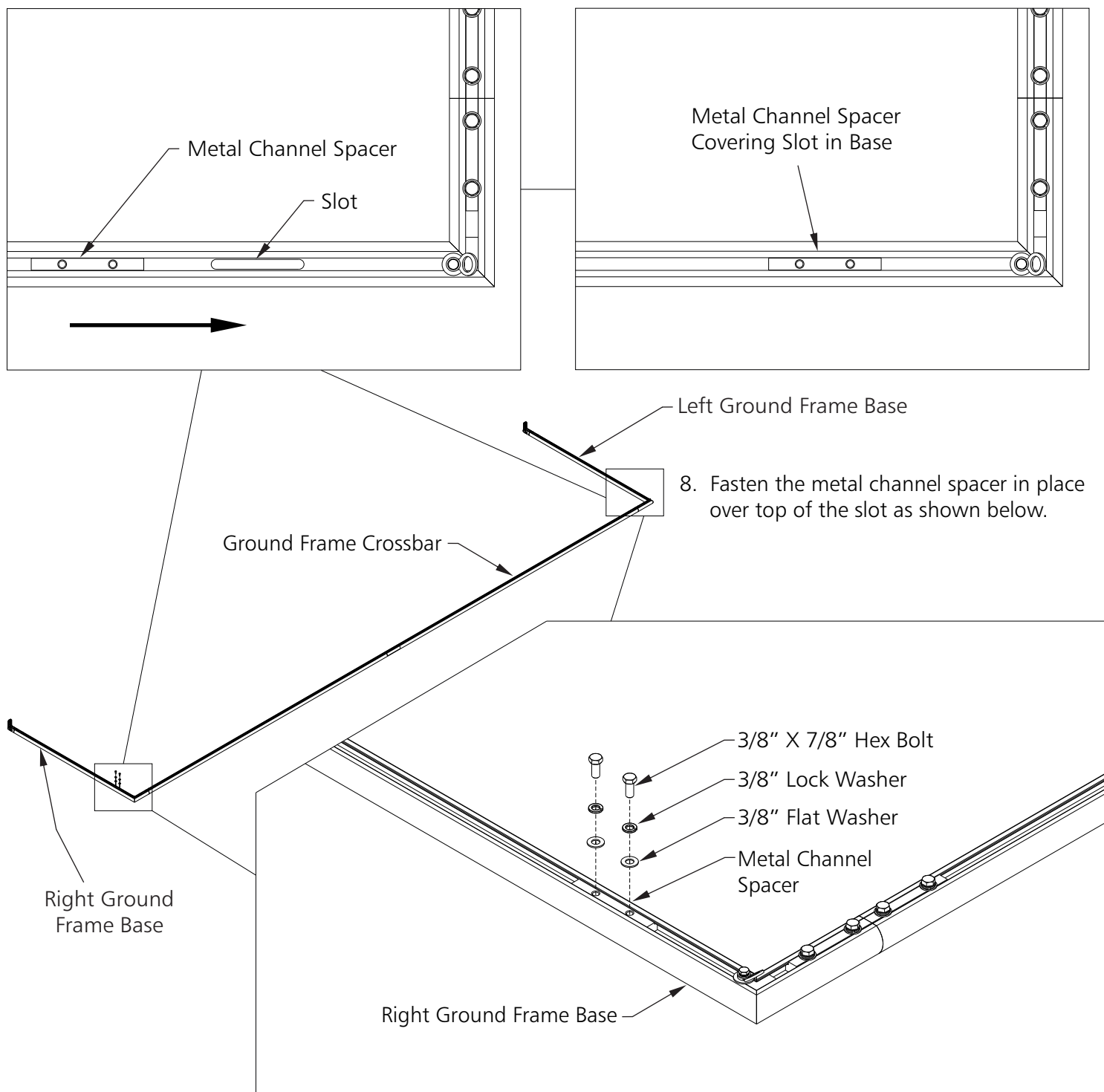
5. Insert a metal channel spacer and attach a ground frame hinge onto both the left and right ground frame bases.

6. Attach a tie down ring to each base, orienting them as shown below before fastening.

**\*\*\*CAUTION\*\*\***

This goal has been designed to be used for the game of soccer only. Goal posts must be anchored AT ALL TIMES and shall be secured against overturning. Do not climb on the net or goal framework at any time! All fastenings must be checked to insure they are fully tightened before and after each use of this product. Goal posts not in use must be disassembled and properly stored in a safe, secure area (See included Guidelines for Movable Soccer Goal Safety.). Assembled goal posts should not be left unattended. Remove nets when goals are not in use. Do not use this equipment during the threat of high winds. Goal posts should be checked for safety before and after each use. All warning and safety labels included with this product must be visible at all times. Any modifications to this or any Kwik Goal product will void any and all warranties.

- Slide the metal channel spacers inserted into each ground frame base on the previous page rearward until they are centered over top of the slots located inside of the channel on each base.

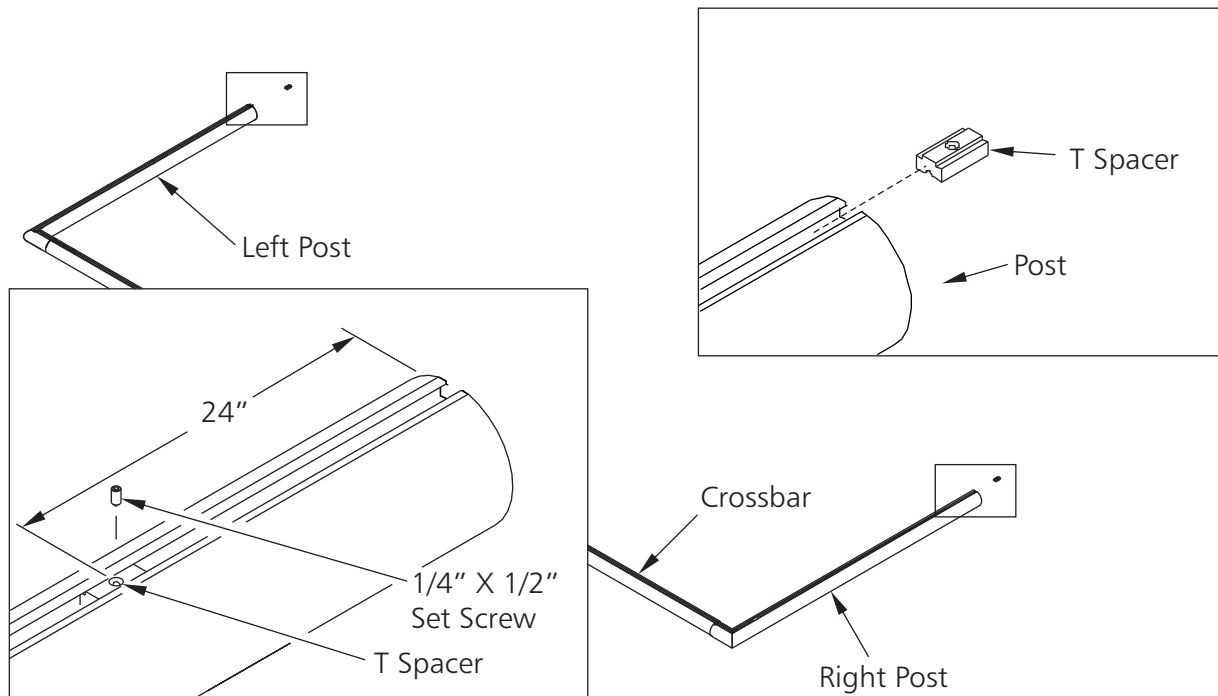


- Fasten the metal channel spacer in place over top of the slot as shown below.

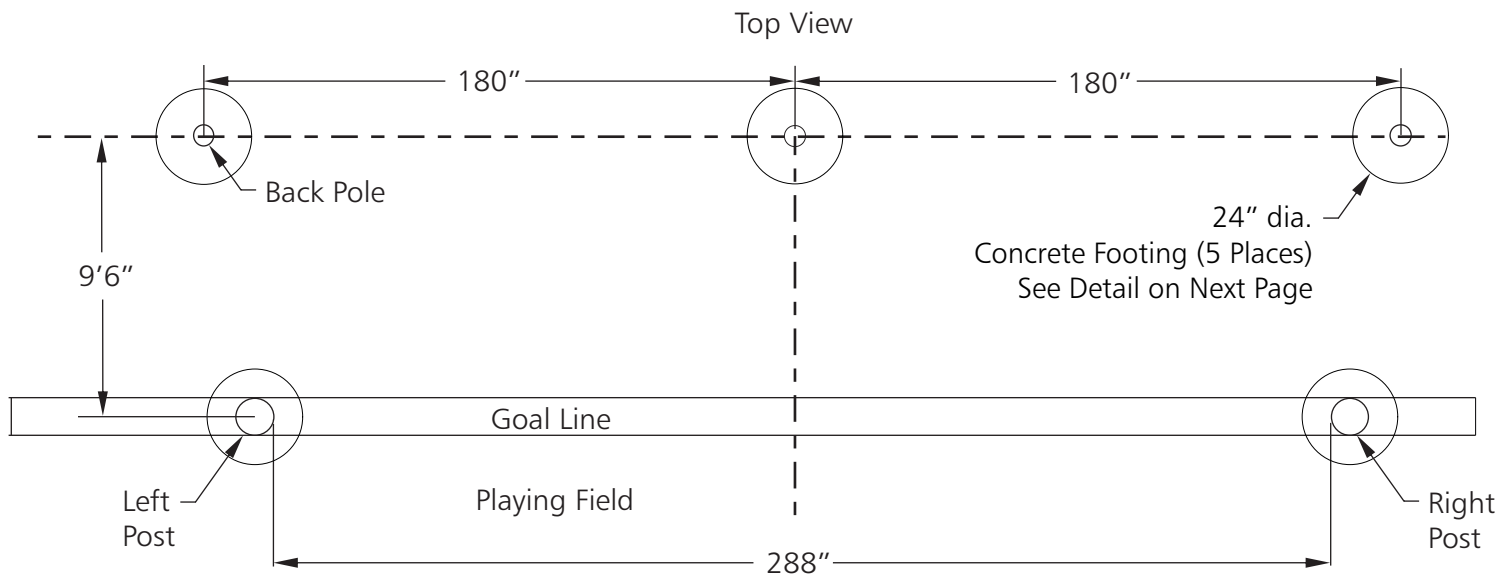
**\*\*\*CAUTION\*\*\***

This goal has been designed to be used for the game of soccer only. Goal posts must be anchored AT ALL TIMES and shall be secured against overturning. Do not climb on the net or goal framework at any time! All fastenings must be checked to insure they are fully tightened before and after each use of this product. Goal posts not in use must be disassembled and properly stored in a safe, secure area (See included Guidelines for Movable Soccer Goal Safety.). Assembled goal posts should not be left unattended. Remove nets when goals are not in use. Do not use this equipment during the threat of high winds. Goal posts should be checked for safety before and after each use. All warning and safety labels included with this product must be visible at all times. Any modifications to this or any Kwik Goal product will void any and all warranties.

9. Insert one T-spacer into left post and right posts. Lock the T spacers into position with 1/4" x 1/2" set screws.



10. Mark field location for posts and back poles.

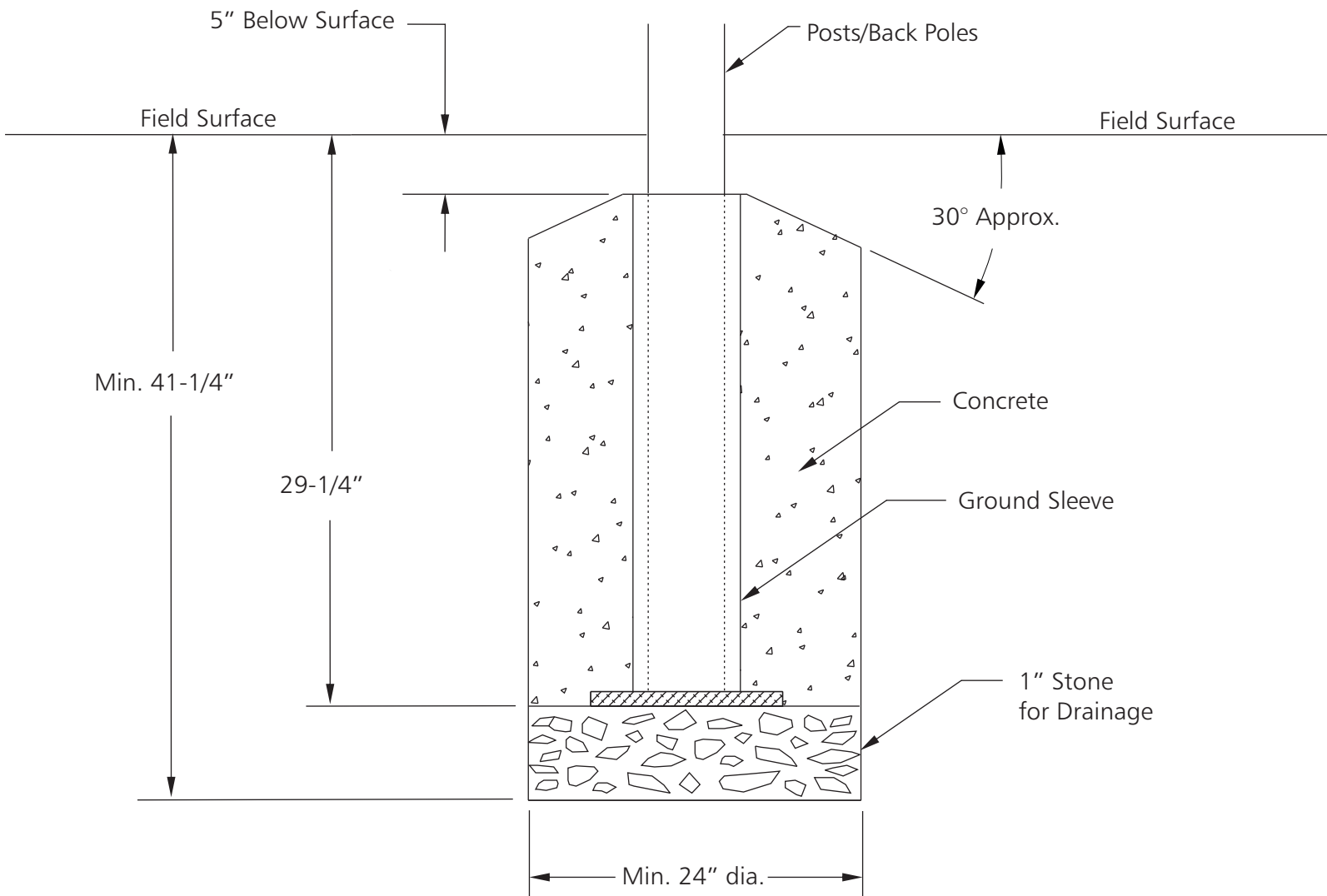


**\*\*\*CAUTION\*\*\***

This goal has been designed to be used for the game of soccer only. Goal posts must be anchored AT ALL TIMES and shall be secured against overturning. Do not climb on the net or goal framework at any time! All fastenings must be checked to insure they are fully tightened before and after each use of this product. Goal posts not in use must be disassembled and properly stored in a safe, secure area (See included Guidelines for Movable Soccer Goal Safety.). Assembled goal posts should not be left unattended. Remove nets when goals are not in use. Do not use this equipment during the threat of high winds. Goal posts should be checked for safety before and after each use. All warning and safety labels included with this product must be visible at all times. Any modifications to this or any Kwik Goal product will void any and all warranties.

11. Dig the holes in the locations marked in the previous step large enough to accommodate the ground sleeve as shown below.

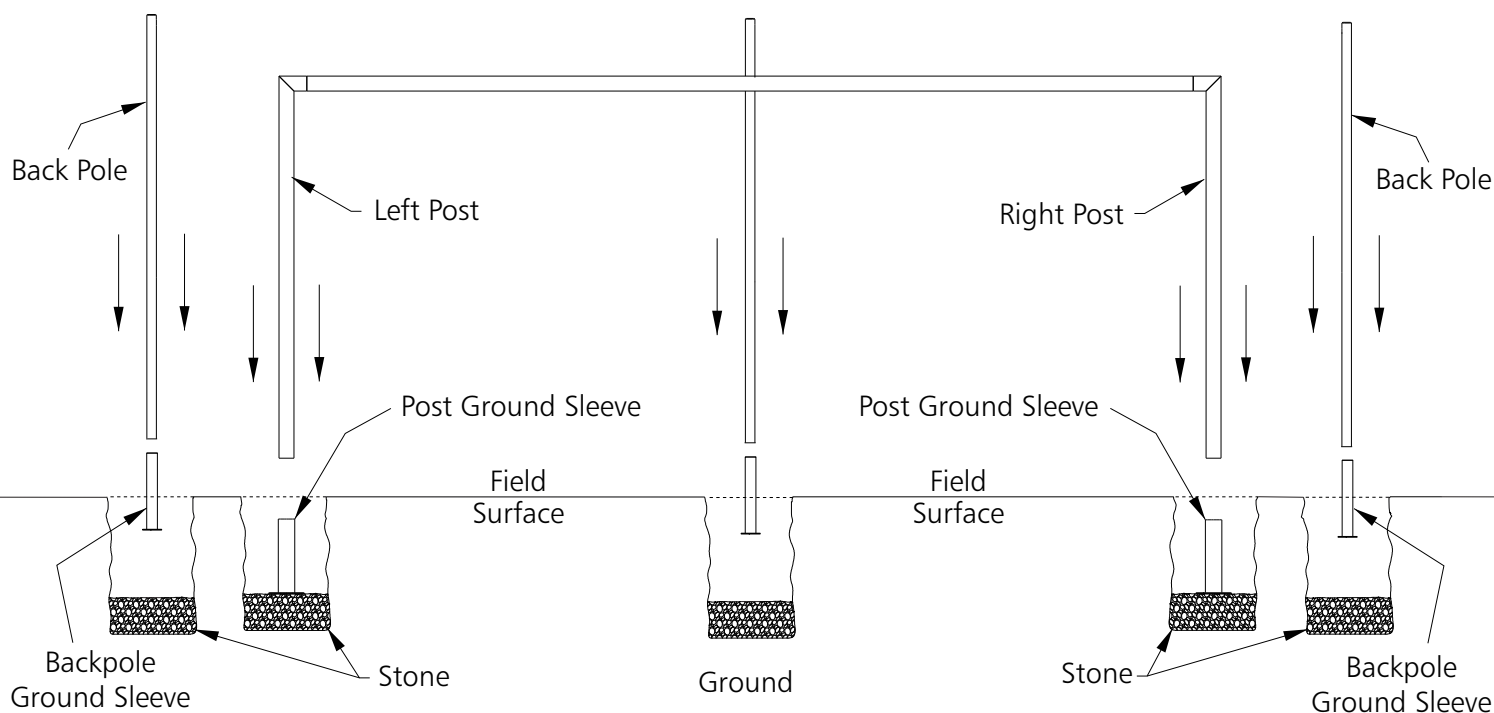
NOTE: THE STONE BASE ALLOWS WATER AND SMALL DEBRIS TO FLOW THROUGH THE HOLE LOCATED IN THE BOTTOM OF GROUND SLEEVE.



**\*\*\*CAUTION\*\*\***

This goal has been designed to be used for the game of soccer only. Goal posts must be anchored AT ALL TIMES and shall be secured against overturning. Do not climb on the net or goal framework at any time! All fastenings must be checked to insure they are fully tightened before and after each use of this product. Goal posts not in use must be disassembled and properly stored in a safe, secure area (See included Guidelines for Movable Soccer Goal Safety.). Assembled goal posts should not be left unattended. Remove nets when goals are not in use. Do not use this equipment during the threat of high winds. Goal posts should be checked for safety before and after each use. All warning and safety labels included with this product must be visible at all times. Any modifications to this or any Kwik Goal product will void any and all warranties.

- Use masking tape to tape over the drainage hole on the bottom of all ground sleeves to prevent concrete seepage into sleeves. Place the back pole ground sleeves and backpoles in the ground. Brace back poles to prevent them from falling over before concrete is poured. Place the post ground sleeves and goal frame in the ground.

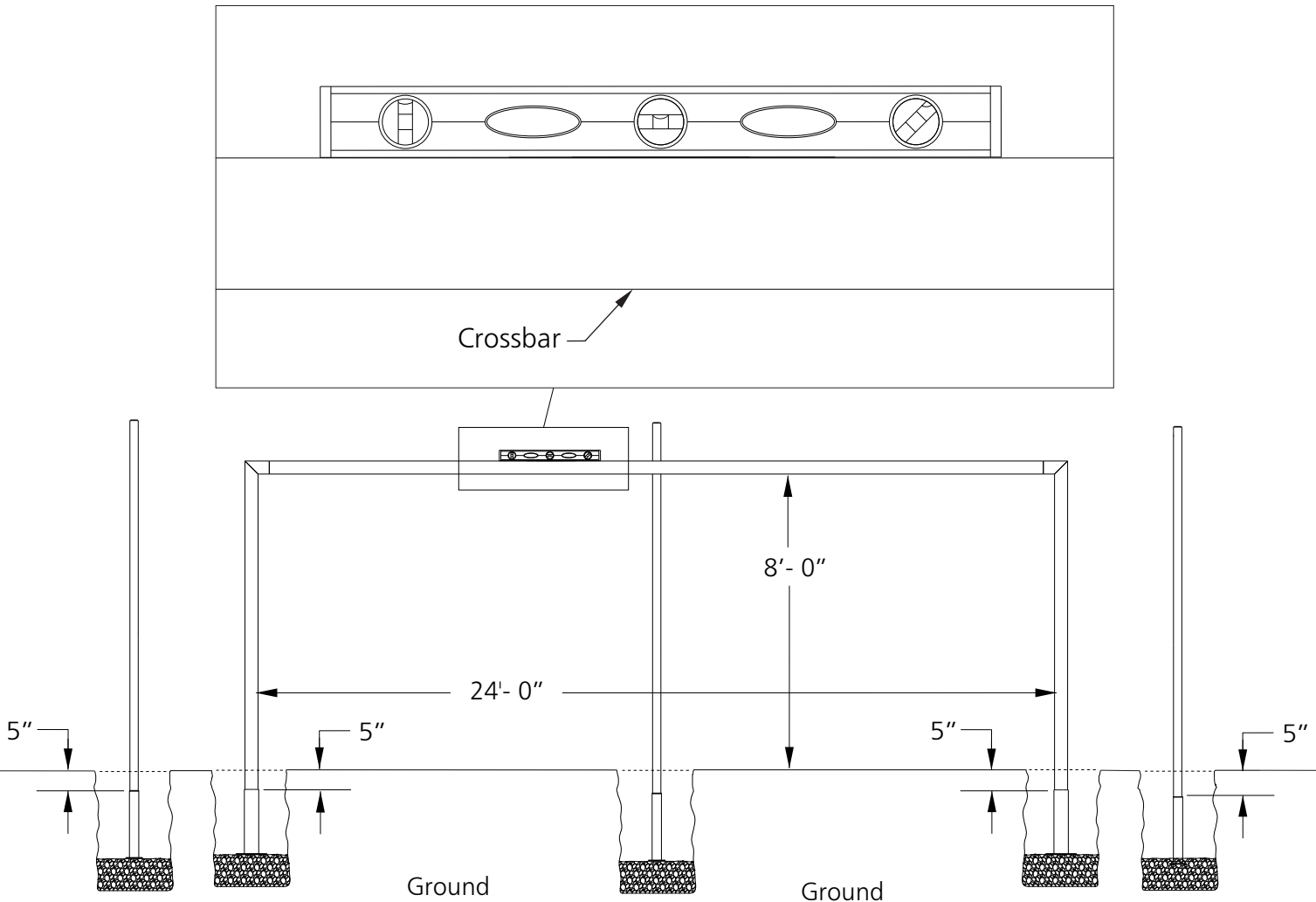


**\*\*\*CAUTION\*\*\***

This goal has been designed to be used for the game of soccer only. Goal posts must be anchored AT ALL TIMES and shall be secured against overturning. Do not climb on the net or goal framework at any time! All fastenings must be checked to insure they are fully tightened before and after each use of this product. Goal posts not in use must be disassembled and properly stored in a safe, secure area (See included Guidelines for Movable Soccer Goal Safety.). Assembled goal posts should not be left unattended. Remove nets when goals are not in use. Do not use this equipment during the threat of high winds. Goal posts should be checked for safety before and after each use. All warning and safety labels included with this product must be visible at all times. Any modifications to this or any Kwik Goal product will void any and all warranties.

13. Plumb/level the entire goal following steps 13a and 13b. These steps must be done together to ensure all parts of the goal are equally plumb/level.

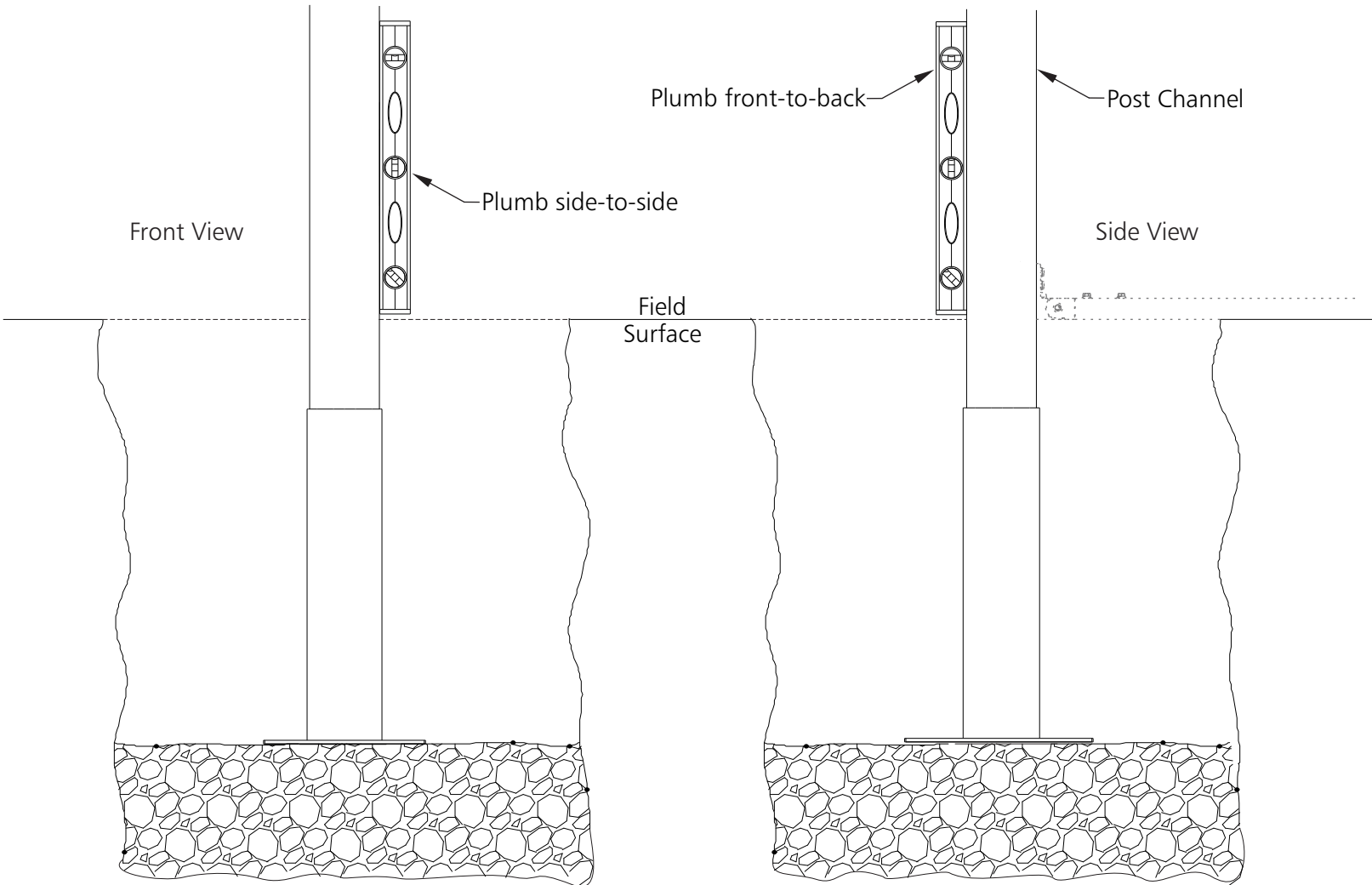
13a. Make sure the posts are exactly 24'-0" apart at the bottom, that the crossbar is 8'-0" above field surface and level, and that the face of the goal post is flush with the goal line. Add/remove stone as needed to correct their positions, ensuring all ground sleeves remain 5" below the field surface.



**\*\*\*CAUTION\*\*\***

This goal has been designed to be used for the game of soccer only. Goal posts must be anchored AT ALL TIMES and shall be secured against overturning. Do not climb on the net or goal framework at any time! All fastenings must be checked to insure they are fully tightened before and after each use of this product. Goal posts not in use must be disassembled and properly stored in a safe, secure area (See included Guidelines for Movable Soccer Goal Safety.). Assembled goal posts should not be left unattended. Remove nets when goals are not in use. Do not use this equipment during the threat of high winds. Goal posts should be checked for safety before and after each use. All warning and safety labels included with this product must be visible at all times. Any modifications to this or any Kwik Goal product will void any and all warranties.

- 13b. Check that the posts and ground sleeves are plumb by leveling them side to side and front to back. Add/remove stone as needed to correct their positions.



14. Before pouring concrete, seal open areas by wrapping the posts, back poles, and top of the ground sleeves with plastic wrap, tape, or any other suitable barrier at ground level to protect the parts from concrete while pouring.

NOTE: FAILURE TO PROTECT COMPONENTS WHILE POURING CONCRETE MAY CAUSE DAMAGE TO THE GOAL.

15. Fill the holes with concrete to the levels shown in step 11. While pouring concrete, agitate the concrete to relieve air for a better foundation, and make sure posts and back poles stay plumb. After the concrete has fully cured, see step 16 for test procedures to ensure the goal has been anchored properly.

NOTE: THE FLOWING CONCRETE WILL CAUSE PARTS TO SHIFT IF NOT PROPERLY HELD IN PLACE.

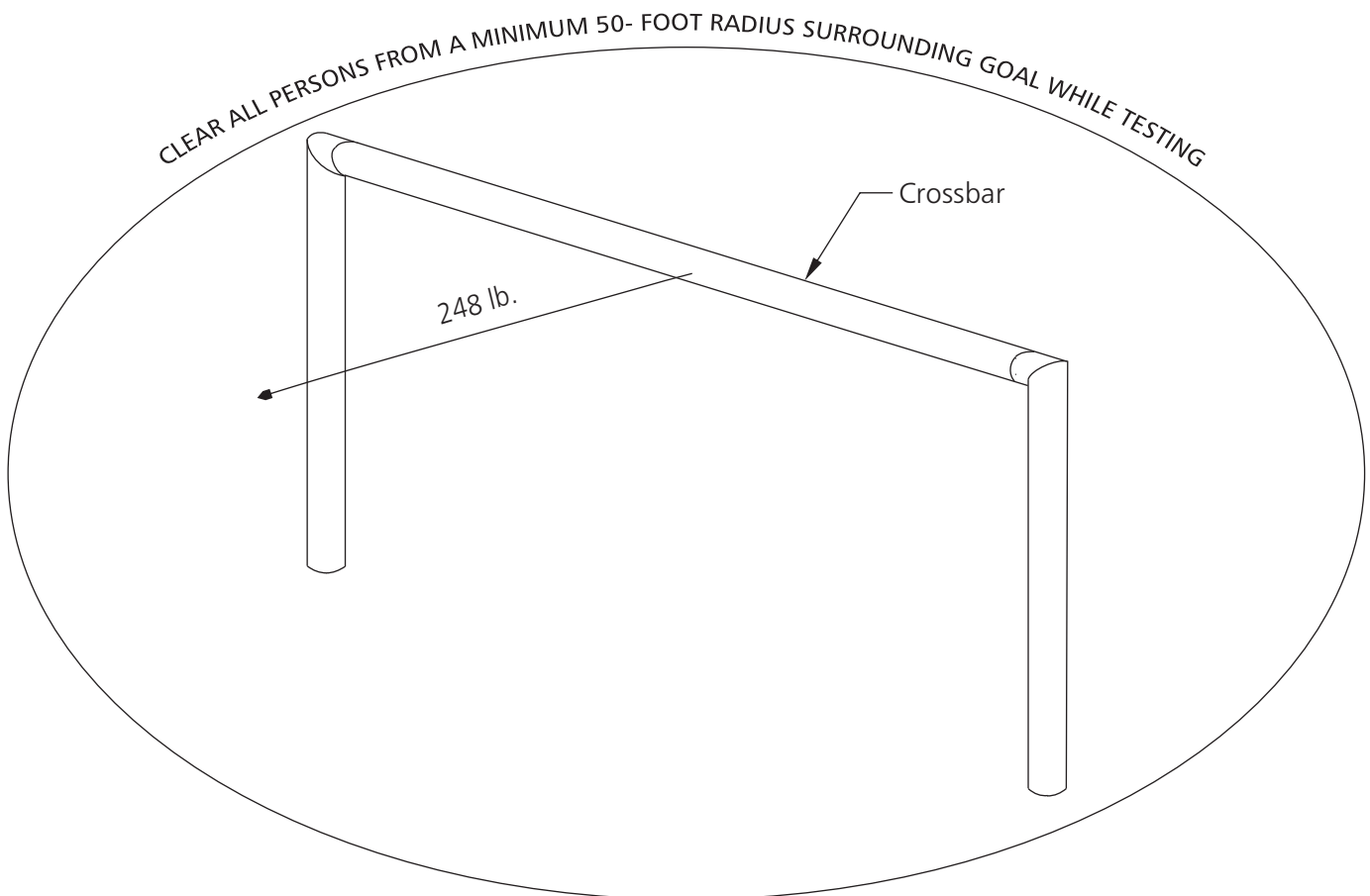
**\*\*\*CAUTION\*\*\***

This goal has been designed to be used for the game of soccer only. Goal posts must be anchored AT ALL TIMES and shall be secured against overturning. Do not climb on the net or goal framework at any time! All fastenings must be checked to insure they are fully tightened before and after each use of this product. Goal posts not in use must be disassembled and properly stored in a safe, secure area (See included Guidelines for Movable Soccer Goal Safety.). Assembled goal posts should not be left unattended. Remove nets when goals are not in use. Do not use this equipment during the threat of high winds. Goal posts should be checked for safety before and after each use. All warning and safety labels included with this product must be visible at all times. Any modifications to this or any Kwik Goal product will void any and all warranties.

16. After installing, test as described below to verify effectiveness of anchor system. If applicable, allow concrete to fully cure before testing.

### ANCHOR TEST

1. Clear all persons from a minimum 50 foot radius surrounding the goal.
2. Verify goal is attached to anchors according to instruction.
3. Apply a horizontal pull force of 248 lbs. to the center of the crossbar for 60 - 70 seconds. Full safety precautions must be taken while performing test.
4. If goal overturns during application of force or does not return to an upright position after removing force, an alternate anchoring system must be used

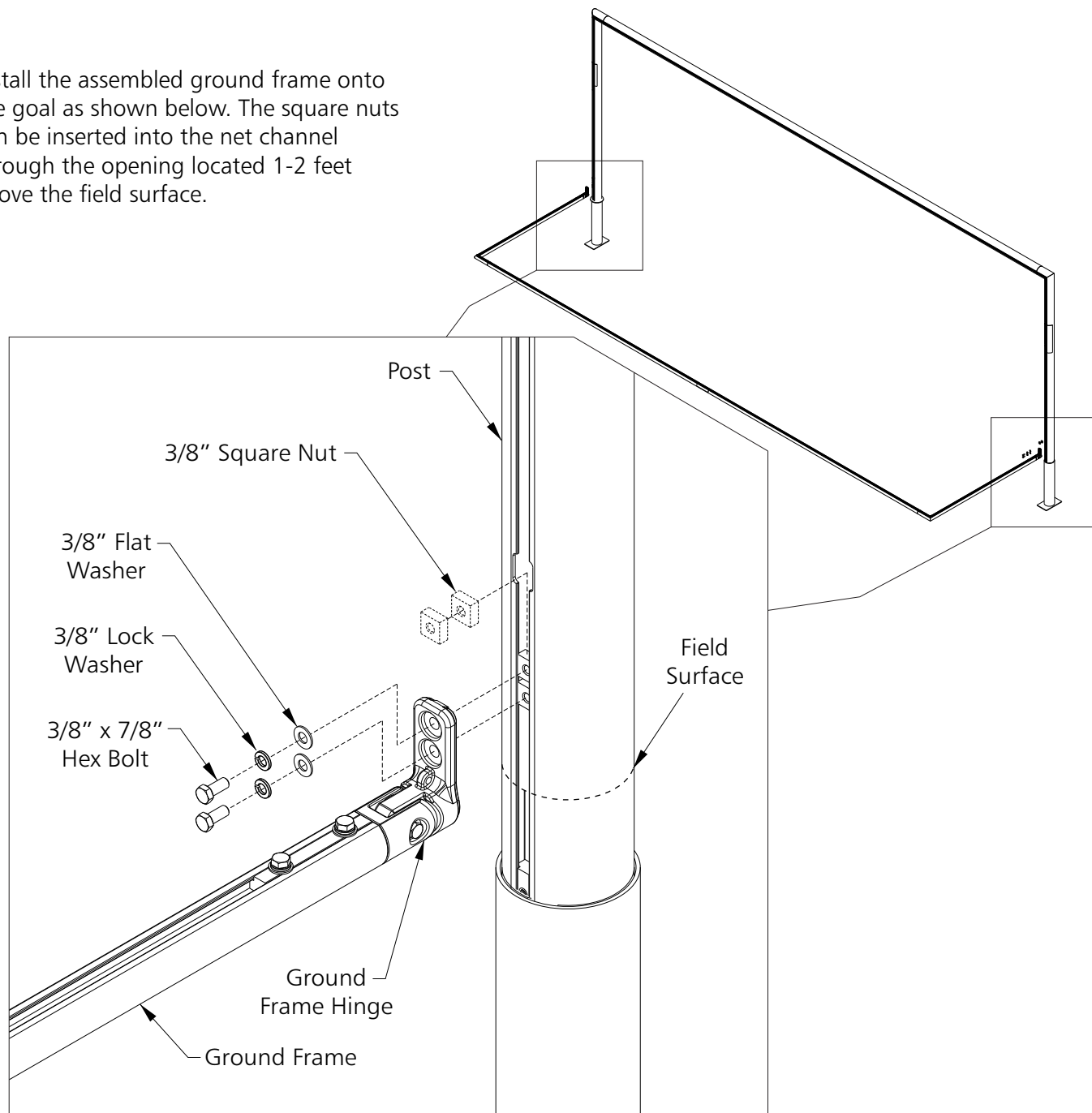


### \*\*\*CAUTION\*\*\*

This goal has been designed to be used for the game of soccer only. Goal posts must be anchored AT ALL TIMES and shall be secured against overturning. Do not climb on the net or goal framework at any time! All fastenings must be checked to insure they are fully tightened before and after each use of this product. Goal posts not in use must be disassembled and properly stored in a safe, secure area (See included Guidelines for Movable Soccer Goal Safety.). Assembled goal posts should not be left unattended. Remove nets when goals are not in use. Do not use this equipment during the threat of high winds. Goal posts should be checked for safety before and after each use. All warning and safety labels included with this product must be visible at all times. Any modifications to this or any Kwik Goal product will void any and all warranties.

17. Once concrete has set, remove all protective plastic from the posts and back poles and remove them from the anchors. Use a rod to punch out the masking tape put over the drainage holes on each ground sleeve to allow for drainage, and re-insert the posts into the ground sleeves. Seal space between posts and ground sleeves with a small bead of sealer. Do the same for back pole ground sleeves.

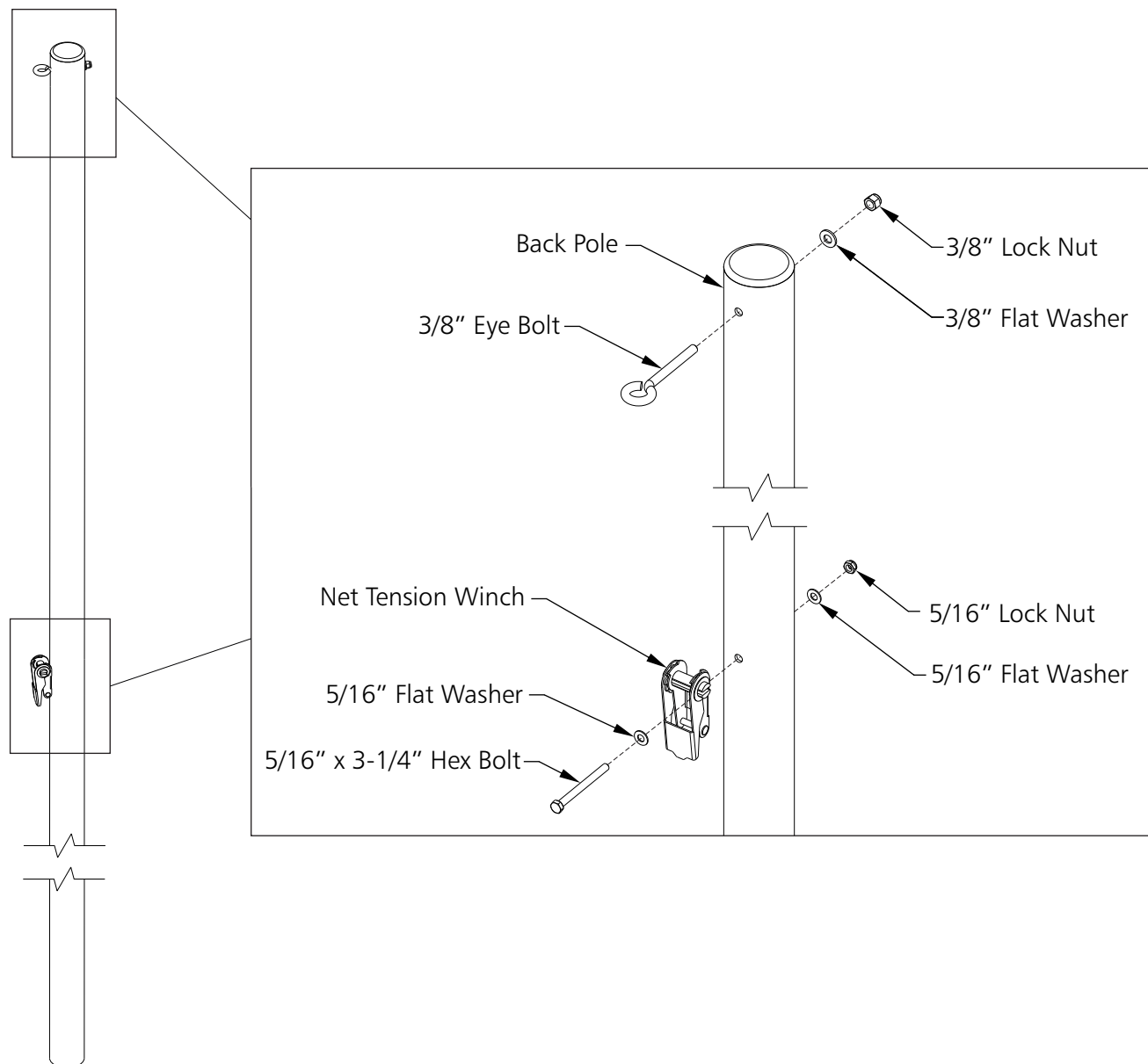
18. Install the assembled ground frame onto the goal as shown below. The square nuts can be inserted into the net channel through the opening located 1-2 feet above the field surface.



**\*\*\*CAUTION\*\*\***

This goal has been designed to be used for the game of soccer only. Goal posts must be anchored AT ALL TIMES and shall be secured against overturning. Do not climb on the net or goal framework at any time! All fastenings must be checked to insure they are fully tightened before and after each use of this product. Goal posts not in use must be disassembled and properly stored in a safe, secure area (See included Guidelines for Movable Soccer Goal Safety.). Assembled goal posts should not be left unattended. Remove nets when goals are not in use. Do not use this equipment during the threat of high winds. Goal posts should be checked for safety before and after each use. All warning and safety labels included with this product must be visible at all times. Any modifications to this or any Kwik Goal product will void any and all warranties.

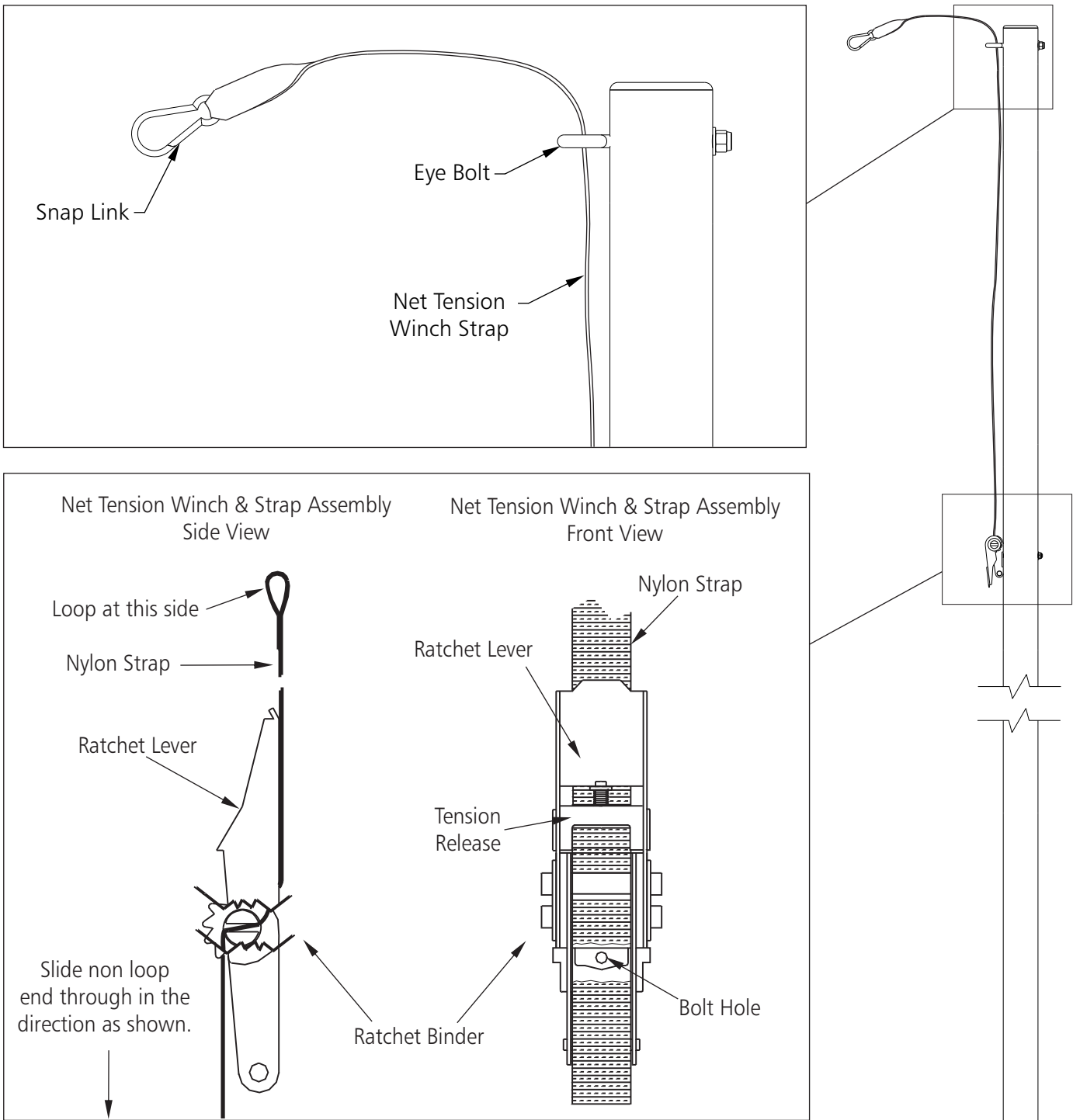
19. Assemble the back poles as shown below.



**\*\*\*CAUTION\*\*\***

This goal has been designed to be used for the game of soccer only. Goal posts must be anchored AT ALL TIMES and shall be secured against overturning. Do not climb on the net or goal framework at any time! All fastenings must be checked to insure they are fully tightened before and after each use of this product. Goal posts not in use must be disassembled and properly stored in a safe, secure area (See included Guidelines for Movable Soccer Goal Safety.). Assembled goal posts should not be left unattended. Remove nets when goals are not in use. Do not use this equipment during the threat of high winds. Goal posts should be checked for safety before and after each use. All warning and safety labels included with this product must be visible at all times. Any modifications to this or any Kwik Goal product will void any and all warranties.

20. Assemble the net straps onto each back pole, passing them through the net tension winches and eye bolts as shown below.

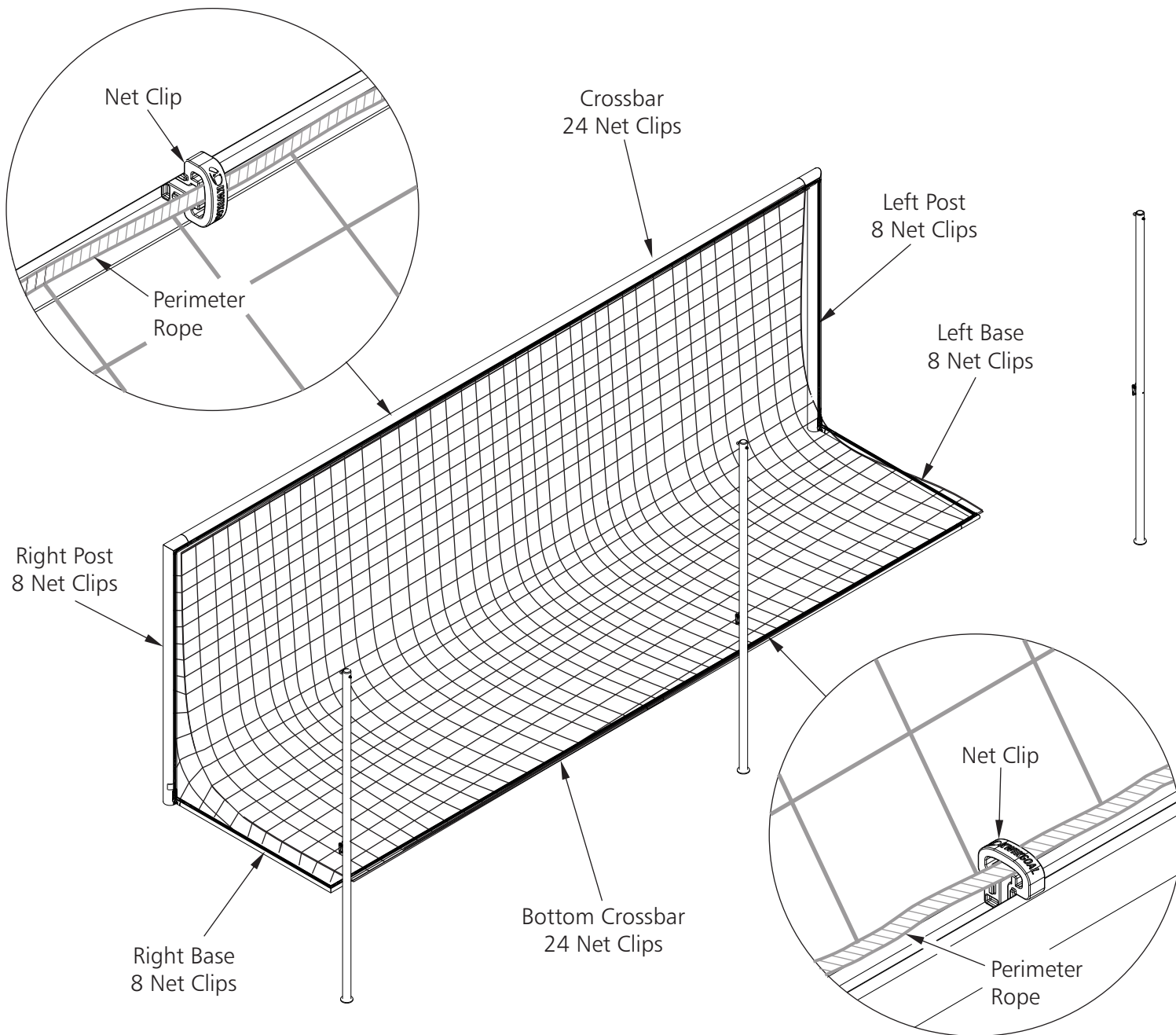


**\*\*\*CAUTION\*\*\***

This goal has been designed to be used for the game of soccer only. Goal posts must be anchored AT ALL TIMES and shall be secured against overturning. Do not climb on the net or goal framework at any time! All fastenings must be checked to insure they are fully tightened before and after each use of this product. Goal posts not in use must be disassembled and properly stored in a safe, secure area (See included Guidelines for Movable Soccer Goal Safety.). Assembled goal posts should not be left unattended. Remove nets when goals are not in use. Do not use this equipment during the threat of high winds. Goal posts should be checked for safety before and after each use. All warning and safety labels included with this product must be visible at all times. Any modifications to this or any Kwik Goal product will void any and all warranties.

21. To attach the net to the goal, place the base of each net clip over the perimeter rope of the net and into the channel, turning 90 degrees to lock it into place. Start with the top post corners, denoted by a yellow net tag. Use a step ladder if needed to reach the crossbar.

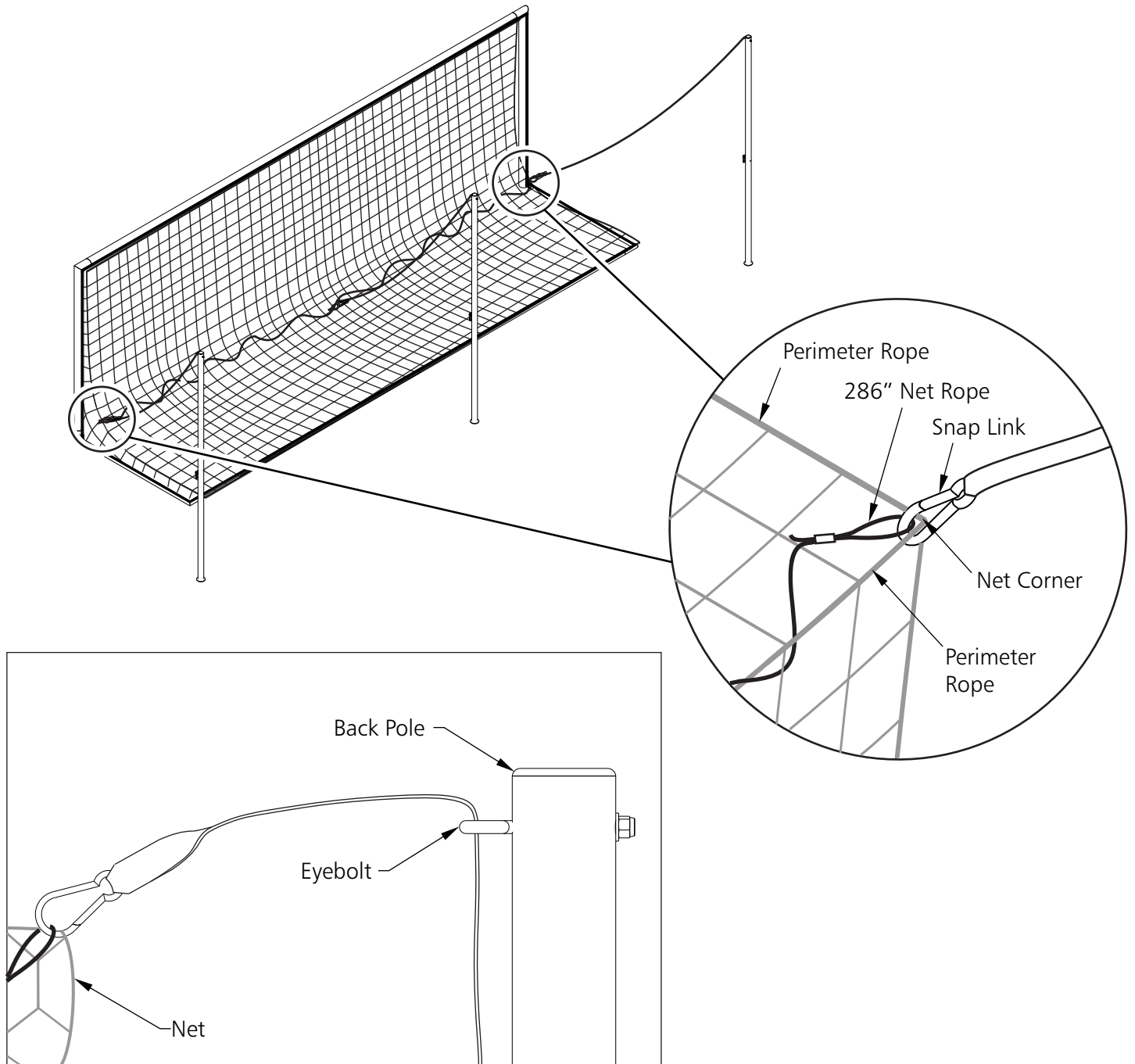
**CAUTION: DO NOT ATTEMPT TO CLIMB ON GOAL WHILE ATTACHING NET.**  
**CAUTION: GOALS MUST BE PROPERLY ANCHORED OR STORED AT ALL TIMES.**



**\*\*\*CAUTION\*\*\***

This goal has been designed to be used for the game of soccer only. Goal posts must be anchored AT ALL TIMES and shall be secured against overturning. Do not climb on the net or goal framework at any time! All fastenings must be checked to insure they are fully tightened before and after each use of this product. Goal posts not in use must be disassembled and properly stored in a safe, secure area (See included Guidelines for Movable Soccer Goal Safety.). Assembled goal posts should not be left unattended. Remove nets when goals are not in use. Do not use this equipment during the threat of high winds. Goal posts should be checked for safety before and after each use. All warning and safety labels included with this product must be visible at all times. Any modifications to this or any Kwik Goal product will void any and all warranties.

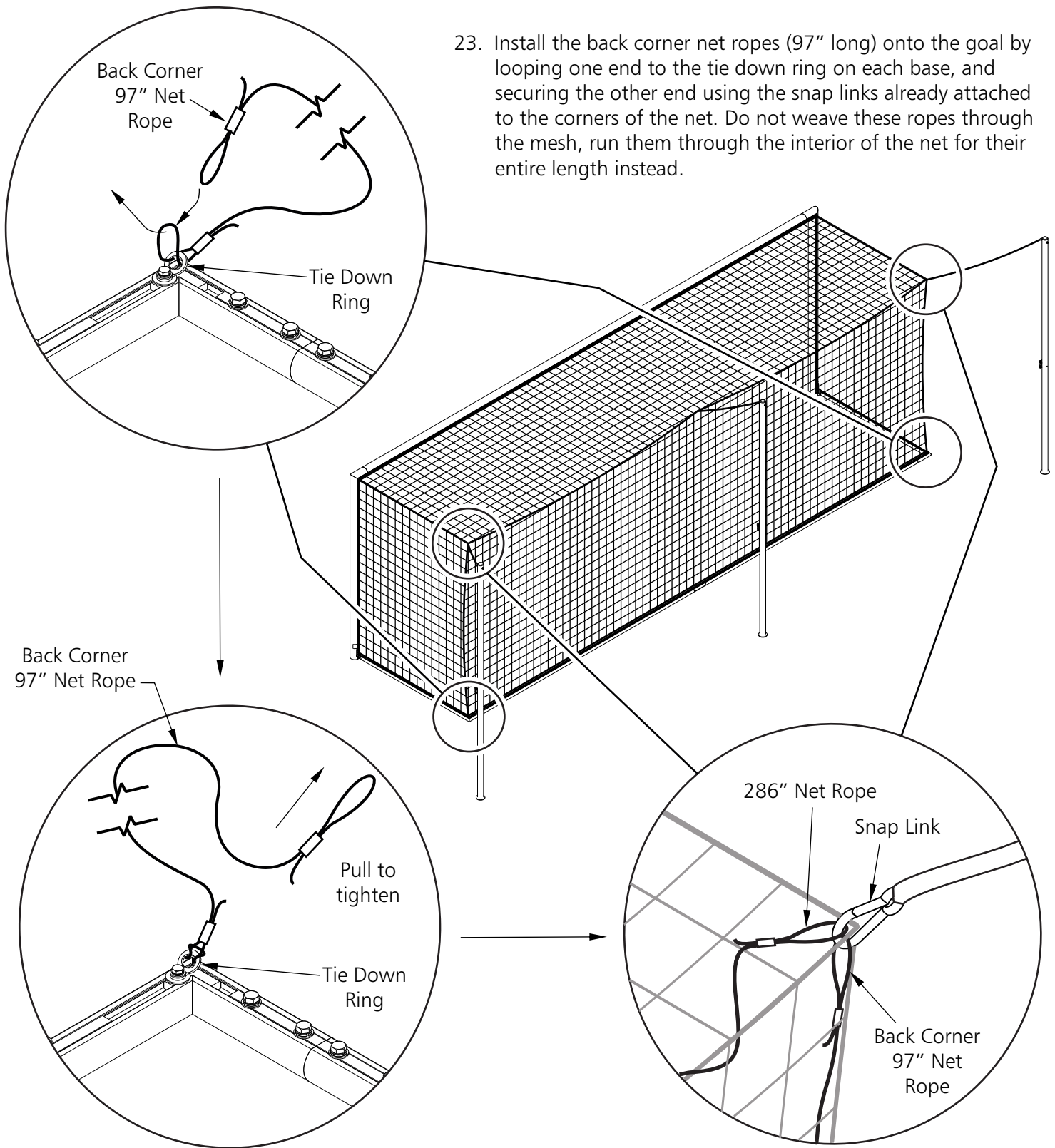
22. Install a 286" long net rope onto the goal by weaving it around the top, rear perimeter rope of the net. Take the net straps from the back poles on either side of the goal and connect the snap link to the perimeter rope at the corner of the net and the 286" net rope. Connect the net strap from the center backpole to the center of the 286" net rope.



**\*\*\*CAUTION\*\*\***

This goal has been designed to be used for the game of soccer only. Goal posts must be anchored AT ALL TIMES and shall be secured against overturning. Do not climb on the net or goal framework at any time! All fastenings must be checked to insure they are fully tightened before and after each use of this product. Goal posts not in use must be disassembled and properly stored in a safe, secure area (See included Guidelines for Movable Soccer Goal Safety.). Assembled goal posts should not be left unattended. Remove nets when goals are not in use. Do not use this equipment during the threat of high winds. Goal posts should be checked for safety before and after each use. All warning and safety labels included with this product must be visible at all times. Any modifications to this or any Kwik Goal product will void any and all warranties.

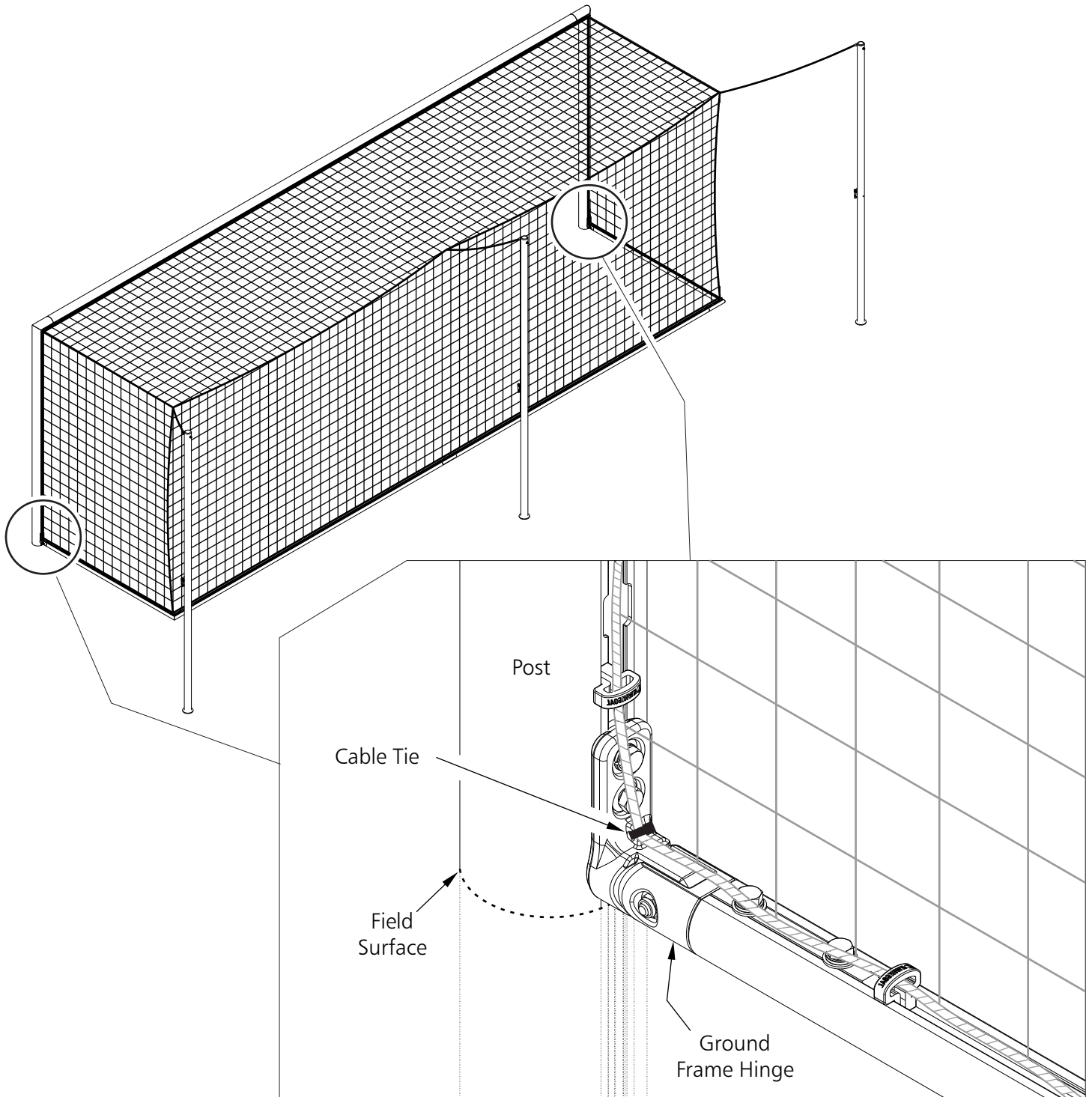
23. Install the back corner net ropes (97" long) onto the goal by looping one end to the tie down ring on each base, and securing the other end using the snap links already attached to the corners of the net. Do not weave these ropes through the mesh, run them through the interior of the net for their entire length instead.



\*\*\*CAUTION\*\*\*

This goal has been designed to be used for the game of soccer only. Goal posts must be anchored AT ALL TIMES and shall be secured against overturning. Do not climb on the net or goal framework at any time! All fastenings must be checked to insure they are fully tightened before and after each use of this product. Goal posts not in use must be disassembled and properly stored in a safe, secure area (See included Guidelines for Movable Soccer Goal Safety.). Assembled goal posts should not be left unattended. Remove nets when goals are not in use. Do not use this equipment during the threat of high winds. Goal posts should be checked for safety before and after each use. All warning and safety labels included with this product must be visible at all times. Any modifications to this or any Kwik Goal product will void any and all warranties.

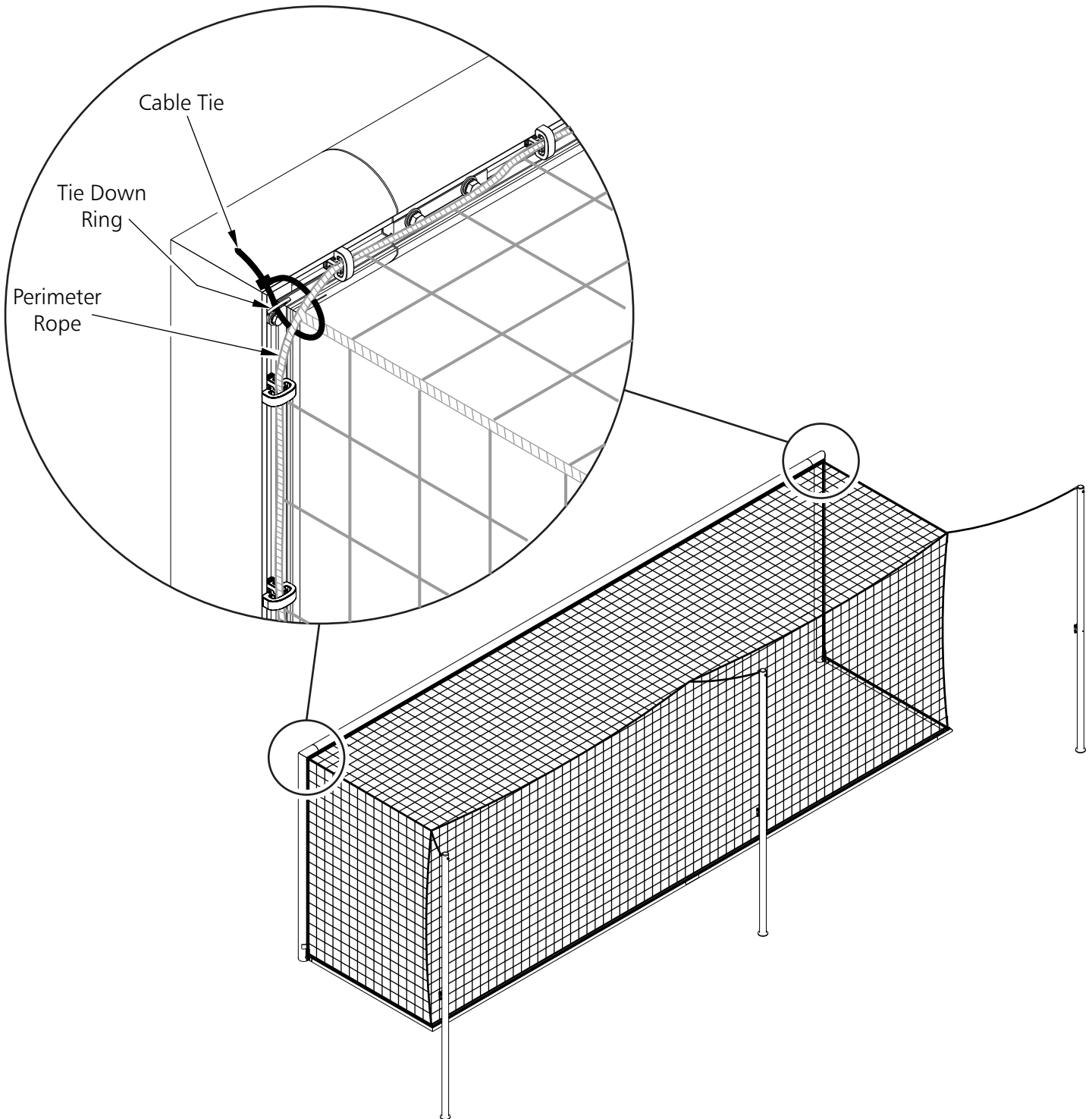
24. Use a cable ties included with the ground frame hinges to secure each bottom post corner of the net perimeter rope to the cable tie hole on the ground frame hinges as shown below. Once secure, cut off the excess cable tie using scissors.



**\*\*\*CAUTION\*\*\***

This goal has been designed to be used for the game of soccer only. Goal posts must be anchored AT ALL TIMES and shall be secured against overturning. Do not climb on the net or goal framework at any time! All fastenings must be checked to insure they are fully tightened before and after each use of this product. Goal posts not in use must be disassembled and properly stored in a safe, secure area (See included Guidelines for Movable Soccer Goal Safety.). Assembled goal posts should not be left unattended. Remove nets when goals are not in use. Do not use this equipment during the threat of high winds. Goal posts should be checked for safety before and after each use. All warning and safety labels included with this product must be visible at all times. Any modifications to this or any Kwik Goal product will void any and all warranties.

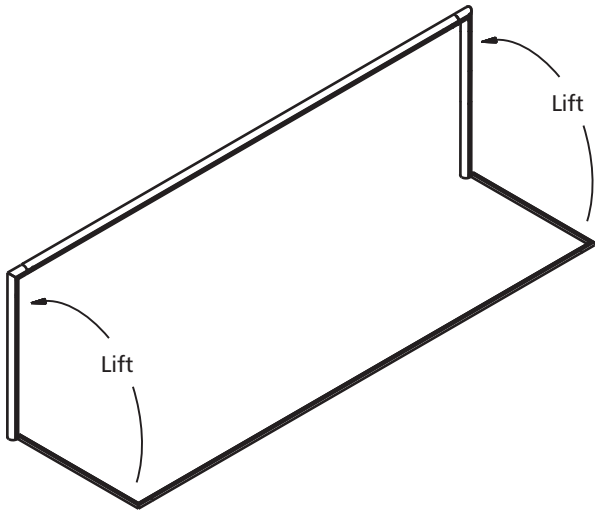
25. Secure the top corners of the net perimeter rope to the goal frame by passing cable ties through the previously installed tie down rings. Reducing tension on the net by loosening the net tension winches may help manipulate the mesh more easily. Once secure, cut off the excess cable tie using scissors.



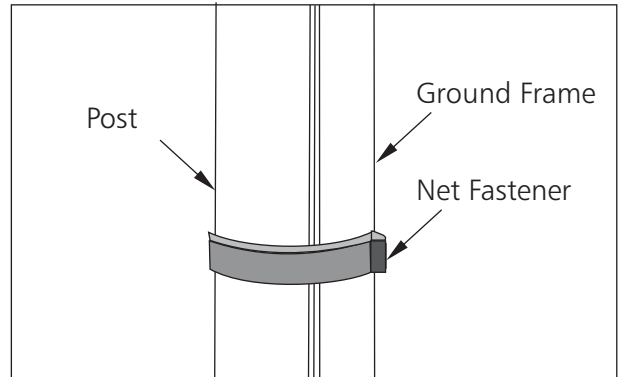
\*\*\*CAUTION\*\*\*

This goal has been designed to be used for the game of soccer only. Goal posts must be anchored AT ALL TIMES and shall be secured against overturning. Do not climb on the net or goal framework at any time! All fastenings must be checked to insure they are fully tightened before and after each use of this product. Goal posts not in use must be disassembled and properly stored in a safe, secure area (See included Guidelines for Movable Soccer Goal Safety.). Assembled goal posts should not be left unattended. Remove nets when goals are not in use. Do not use this equipment during the threat of high winds. Goal posts should be checked for safety before and after each use. All warning and safety labels included with this product must be visible at all times. Any modifications to this or any Kwik Goal product will void any and all warranties.

26. To lift the ground frame up off of the field surface for maintenance, refer to step 27 below. To remove the goal from the ground for storage, refer to steps 28a and 28b below.
27. To lift the ground frame up off field surface for maintenance, lift the ground frame and secure as shown below. Clear away all soil and debris from top of post ground sleeves and back pole ground sleeves before removing goal. Be sure to put post ground sleeve caps and back pole ground sleeve caps in all ground sleeve openings. Be sure to disassemble and store goal in a safe place to prevent injury. Repeat for back pole removal.



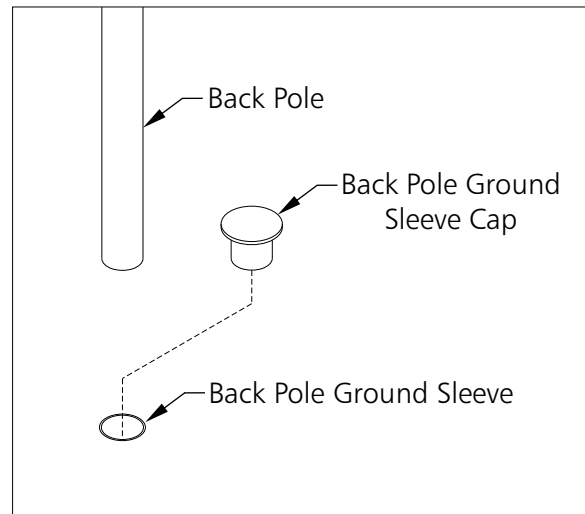
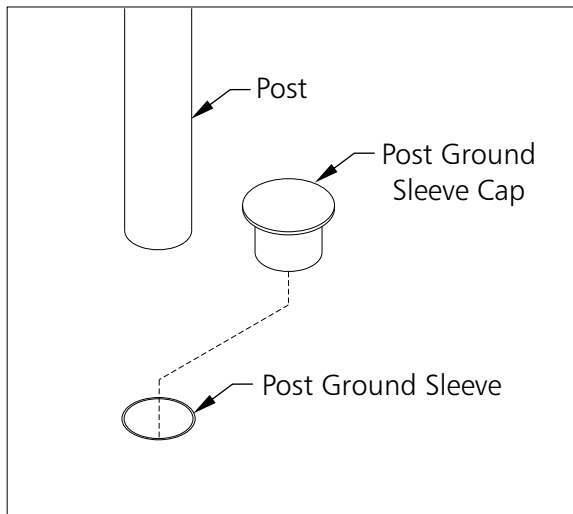
NOTE: Attach ground frame to post of goal with net fastener. Be sure to cut pieces to a length of 20" which will allow a 2" overlap.



- 28a. To remove the goal from the field for storage, first refer to step 29 to secure the ground frame to the goal posts. Clear away all soil and debris from top of post ground sleeves and back pole ground sleeves and remove the goal and back poles from the ground. Disassemble and store the goal and back poles in a safe place to prevent injury.

See **GUIDELINES FOR MOVEABLE SOCCER GOALS** included for proper storage procedures.

- 28b. After removing the goal and backpoles from the ground, install the post ground sleeve caps and back pole ground sleeve caps in all ground sleeve openings.



Go to [kwikgoal.com](http://kwikgoal.com) for additional product information.

**\*\*\*CAUTION\*\*\***

This goal has been designed to be used for the game of soccer only. Goal posts must be anchored AT ALL TIMES and shall be secured against overturning. Do not climb on the net or goal framework at any time! All fastenings must be checked to insure they are fully tightened before and after each use of this product. Goal posts not in use must be disassembled and properly stored in a safe, secure area (See included Guidelines for Movable Soccer Goal Safety.). Assembled goal posts should not be left unattended. Remove nets when goals are not in use. Do not use this equipment during the threat of high winds. Goal posts should be checked for safety before and after each use.

All warning and safety labels included with this product must be visible at all times.

Any modifications to this or any Kwik Goal product will void any and all warranties.