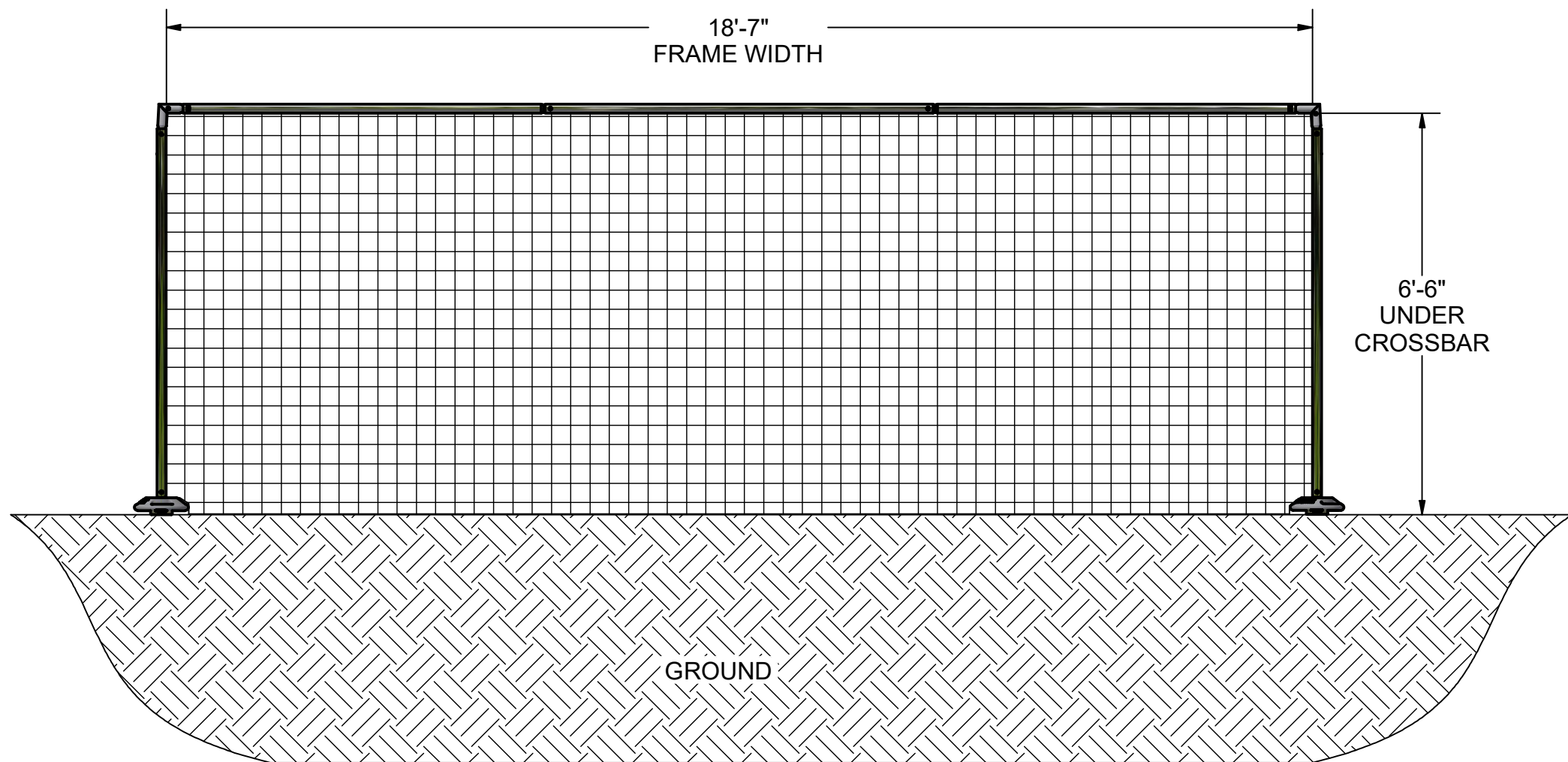
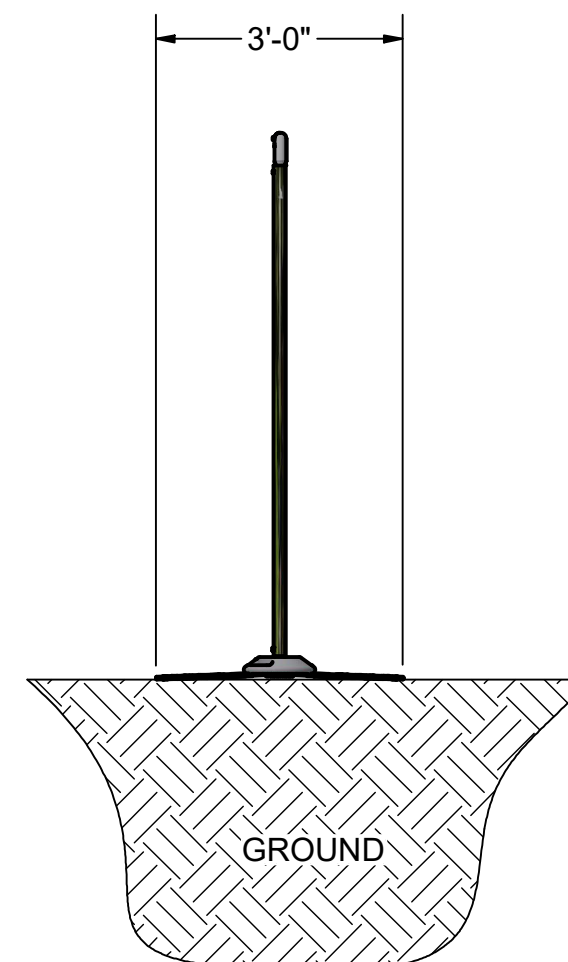


FRONT VIEW

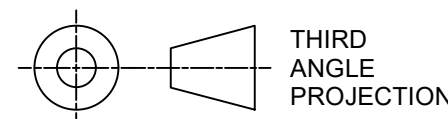


SIDE VIEW



NOTES:

- 1) ALUMINUM FRAME
- 2) FINISH: WHITE POWDER COATED
- 3) INCLUDED:
 - 3 mm, WHITE NET
 - 2 WEIGHTS
 - CARRY BAG
- 4) ASSEMBLED WEIGHT: 111 LBS.



KWIKGOAL® 140 Pacific Drive
Quakertown,
Pa. 18951

DIMENSIONS ARE IN INCHES
UNLESS OTHERWISE SPECIFIED

Approved By: CSpeck
Date: 9/8/2016

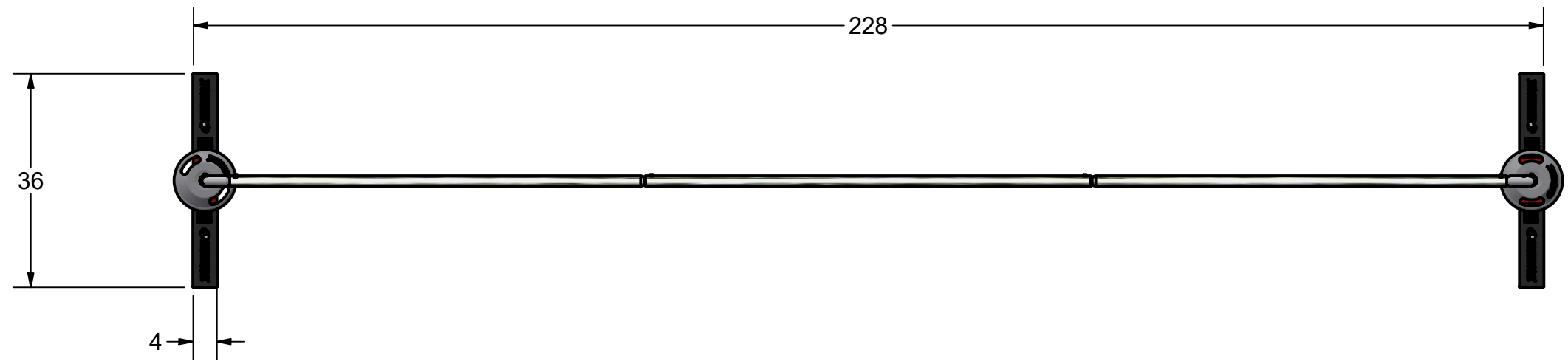
Drawing #:
WC-185AS

This item is the **confidential**
property of **KWIK GOAL LTD.**
Reproduction or duplication
without the express written
consent of **KWIK GOAL LTD.**
is **strictly forbidden.**

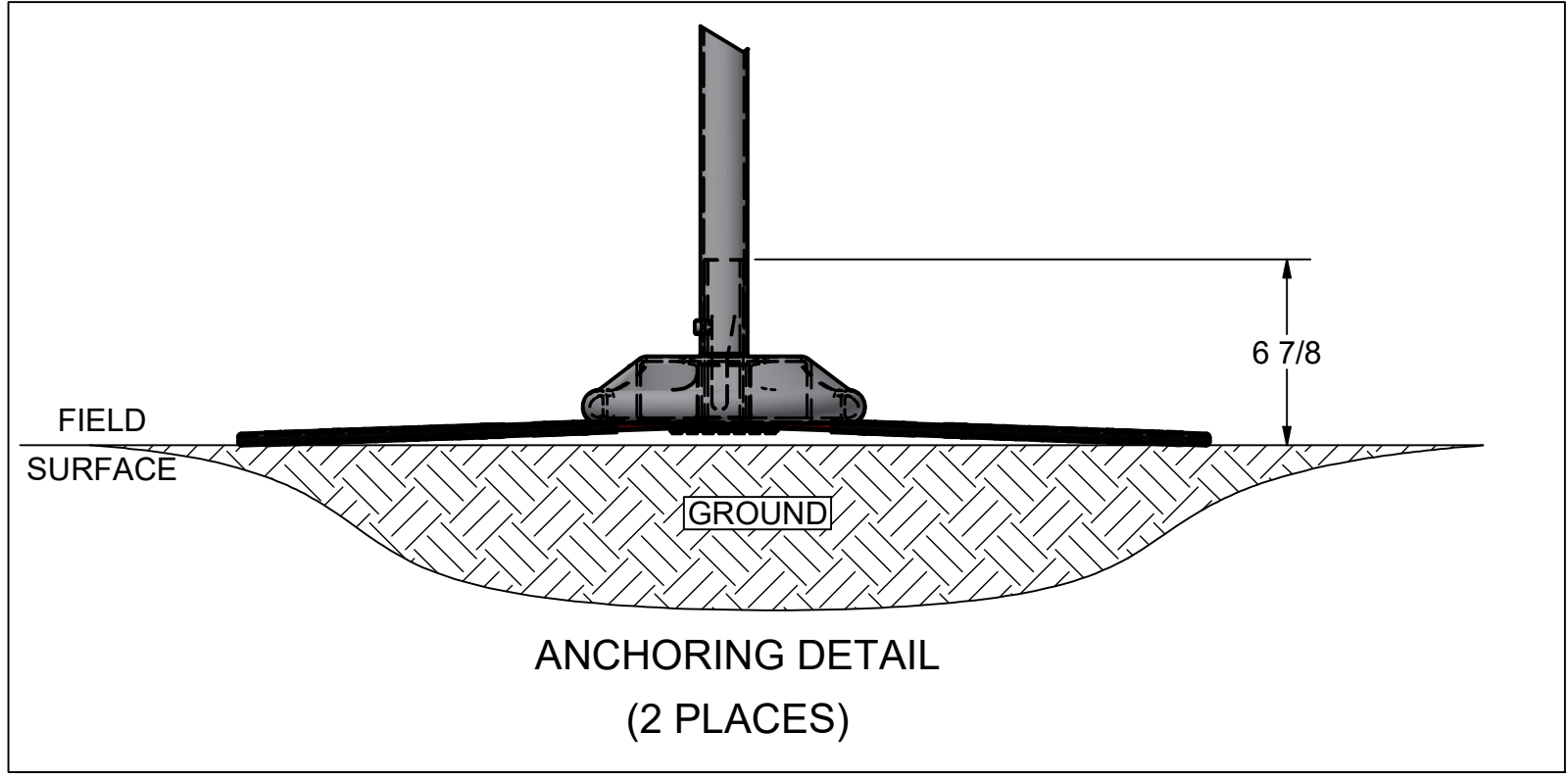
Drawn By: jwillenbecher
Date: 9/2/2016
Sheet: 1 of 4
Revision #: 3
Cad File: WC-185AS.idw

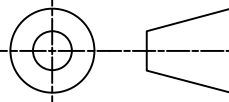

Desc:
NXT TRAINING FRAME
6.5' X 18.5'

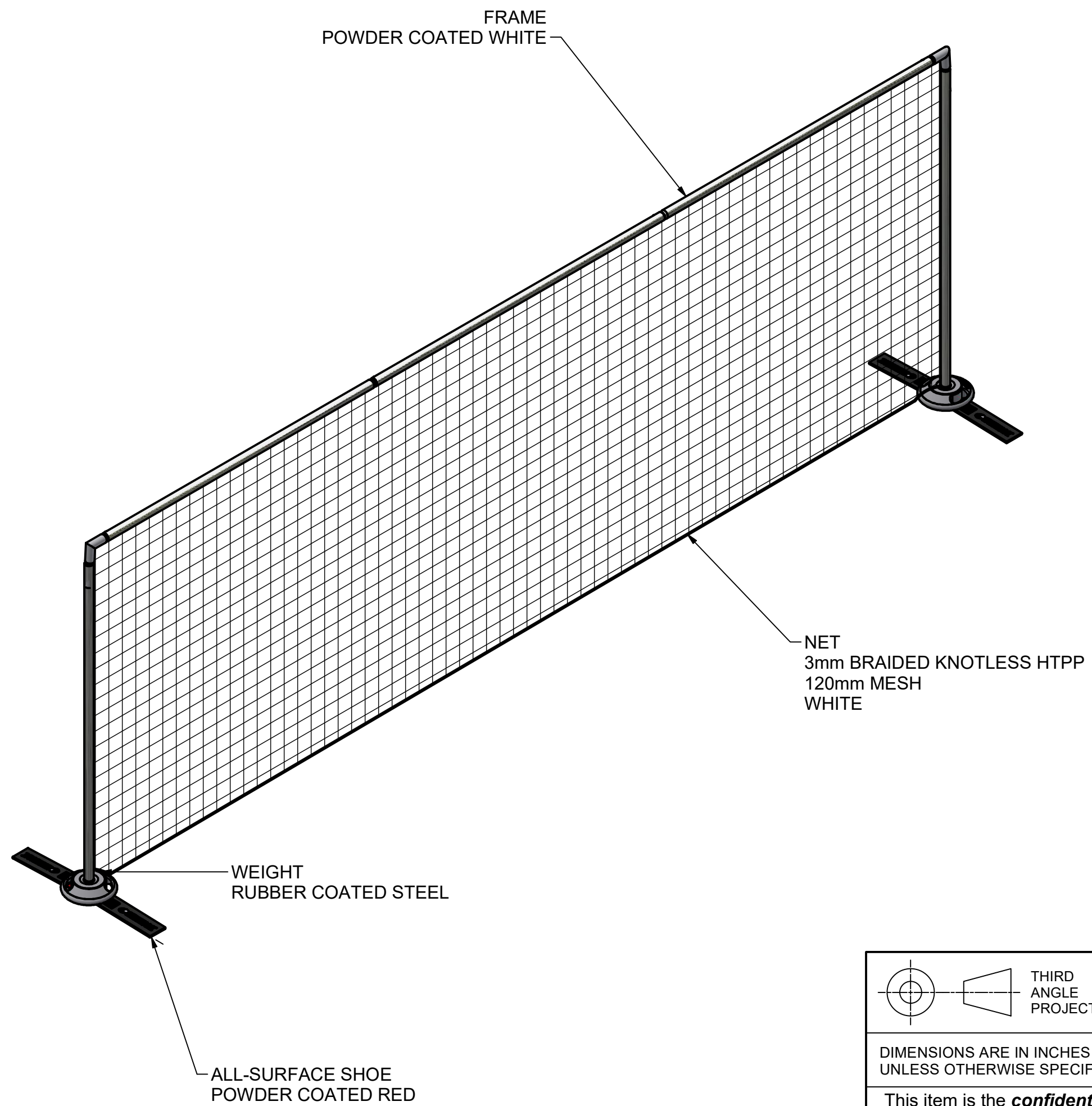
OVERHEAD VIEW



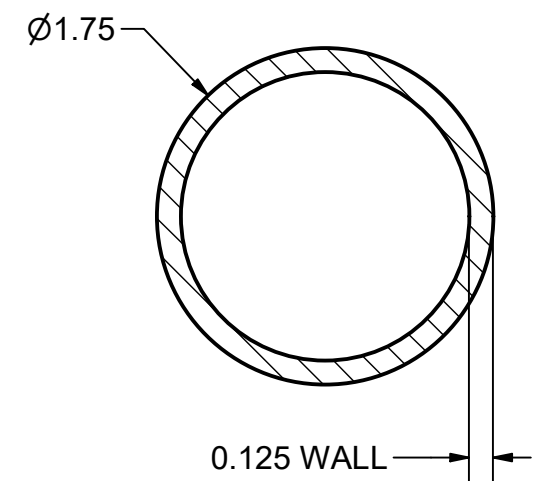
NOTES:
 1) DIMENSIONS ARE FOR PLANNING PURPOSES. INSTALLATION
 MUST BE IN ACCORDANCE WITH INSTALLATION INSTRUCTIONS.



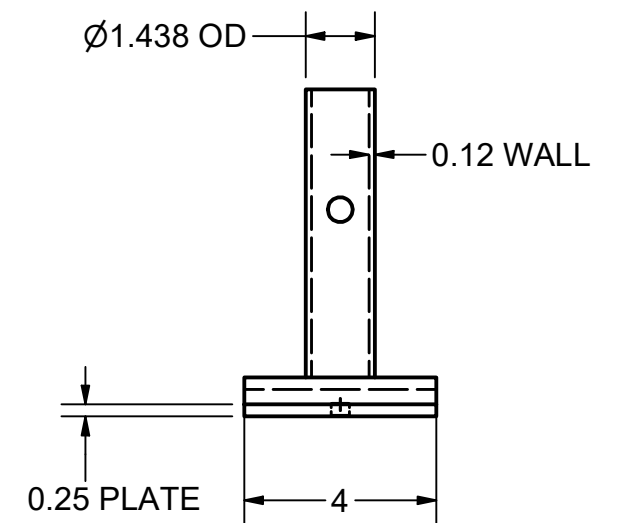
 THIRD ANGLE PROJECTION	 140 Pacific Drive Quakertown, Pa. 18951	
	DIMENSIONS ARE IN INCHES UNLESS OTHERWISE SPECIFIED	Approved By: CSpeck Date: 9/8/2016
This item is the confidential property of KWIK GOAL LTD. Reproduction or duplication without the express written consent of KWIK GOAL LTD. is strictly forbidden.	Drawn By: jwillenbecher Date: 9/2/2016	Desc: NXT TRAINING FRAME 6.5' X 18.5'
	Sheet: 2 of 4 Revision #: 3	
	Cad File: WC-185AS.idw	



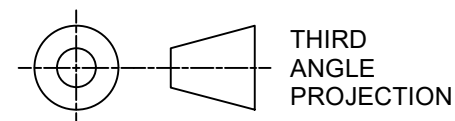
MATERIAL DETAILS



FRAME
MATERIAL - ALUMINUM



ALL SURFACE SHOE
MATERIAL - STEEL



KWIKGOAL® 140 Pacific Drive
Quakertown,
Pa. 18951

DIMENSIONS ARE IN INCHES
UNLESS OTHERWISE SPECIFIED

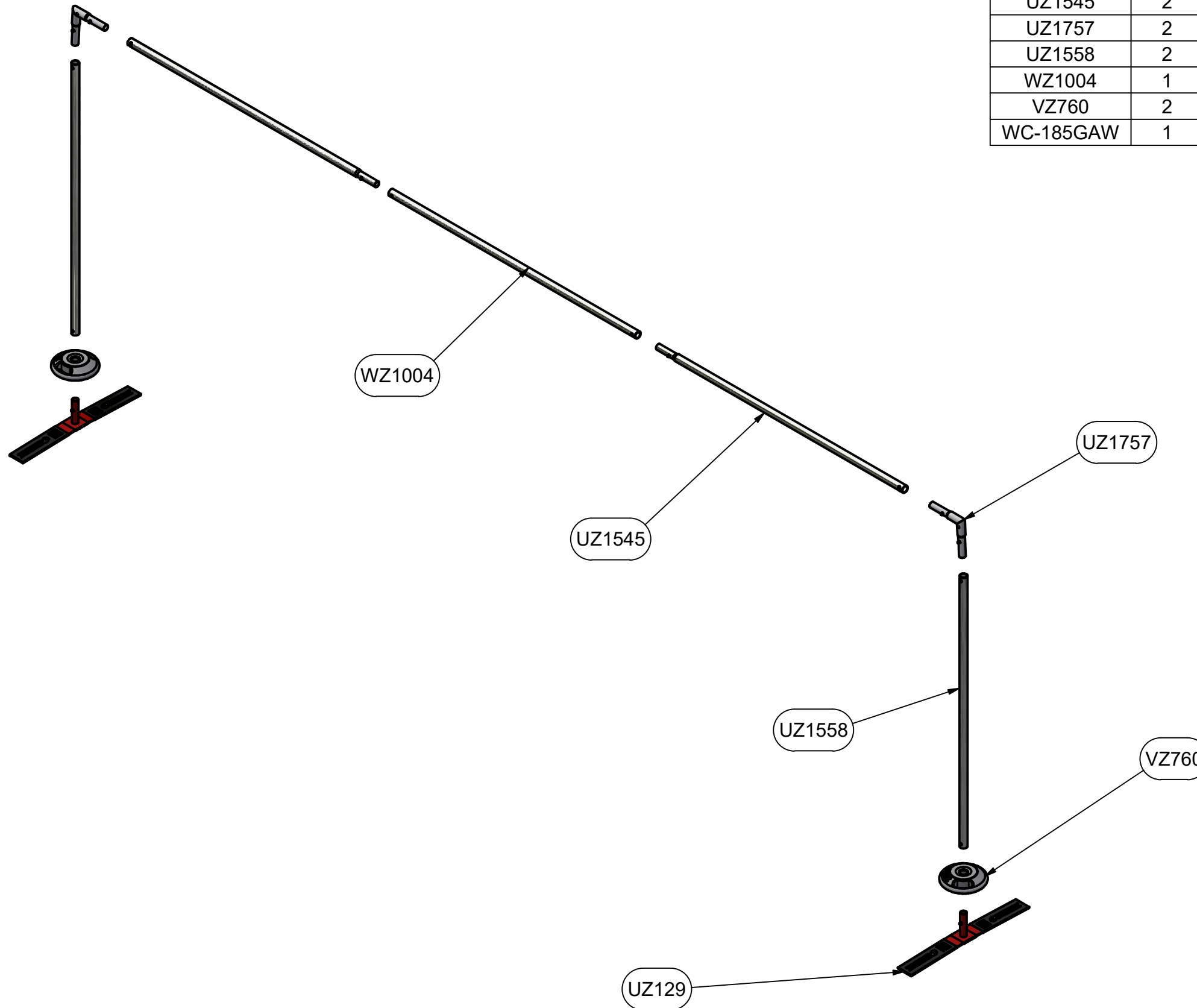
Approved By: CSpeck
Date: 9/8/2016

Drawing #:
WC-185AS

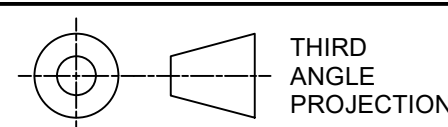
This item is the **confidential**
property of **KWIK GOAL LTD.**
Reproduction or duplication
without the express written
consent of **KWIK GOAL LTD.**
is **strictly forbidden.**

Drawn By: jwillenbecher
Date: 9/2/2016
Sheet: 3 of 4
Revision #: 3
Cad File: WC-185AS.idw

Desc:
NXT TRAINING FRAME
6.5' X 18.5'



PARTS LIST		
PART#	QTY	DESCRIPTION
UZ129	2	ALL-SURFACE SHOE, NXT TRAINING FRAME
UZ1545	2	CROSSBAR SIDE
UZ1757	2	CROSSBAR CORNER 93°
UZ1558	2	POST
WZ1004	1	CROSSBAR CENTER
VZ760	2	BASE WEIGHT
WC-185GAW	1	NET, NXT TRAINING FRAME



THIRD
ANGLE
PROJECTION

KWIKGOAL® 140 Pacific Drive
Quakertown,
Pa. 18951

DIMENSIONS ARE IN INCHES
UNLESS OTHERWISE SPECIFIED

Approved By: CSpeck
Date: 9/8/2016

Drawing #:
WC-185AS

This item is the **confidential**
property of **KWIK GOAL LTD.**
Reproduction or duplication
without the express written
consent of **KWIK GOAL LTD.**
is **strictly forbidden.**

Drawn By: jwillenbecher
Date: 9/2/2016
Sheet: 4 of 4
Revision #: 3
Cad File: WC-185AS.idw

Desc:
NXT TRAINING FRAME
6.5' X 18.5'