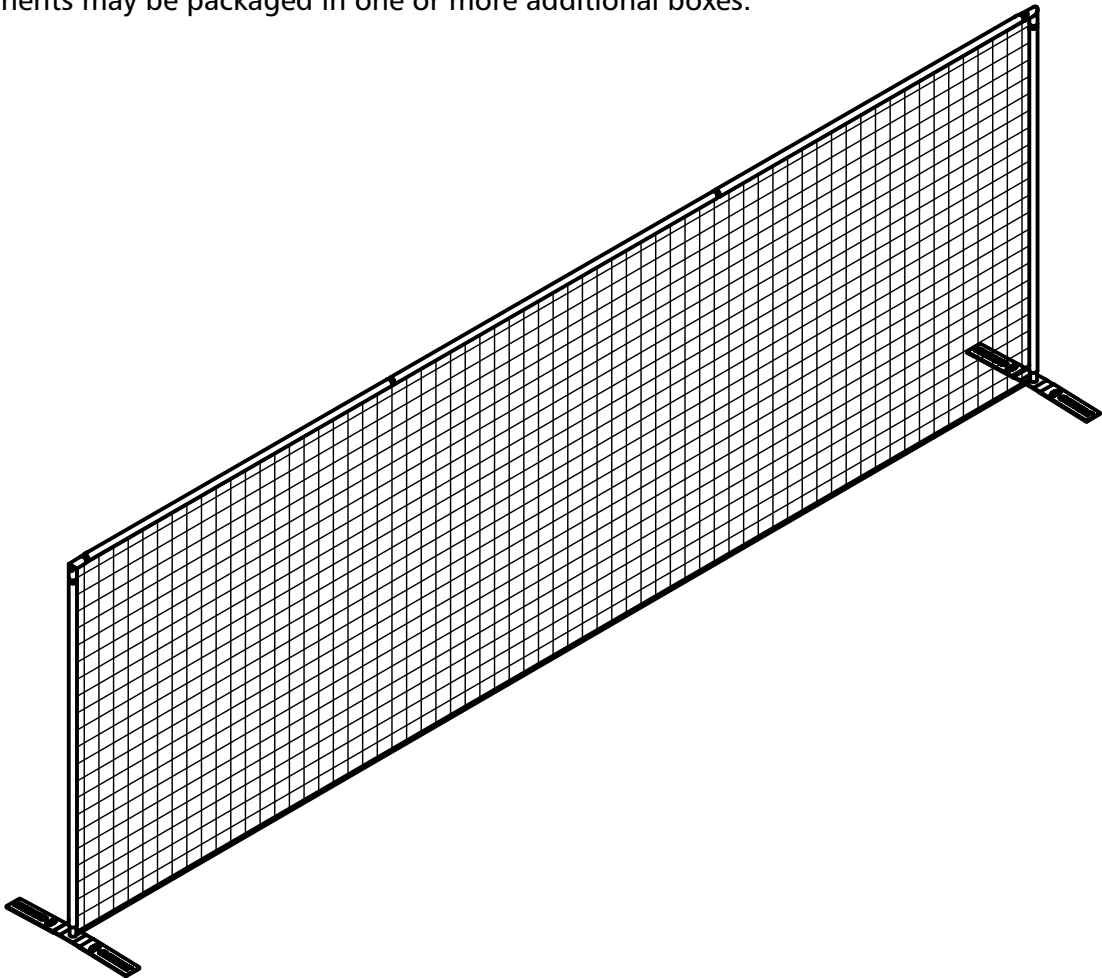




ASSEMBLY INSTRUCTIONS FOR WC-240 & WC-240AS NXT TRAINING FRAME

1. Unpack all parts and check for damage that may have occurred during shipping. If damage has occurred, notify Kwik Goal immediately. Lay out all parts. Remove all cardboard and packaging immediately. Wet or damp packaging may damage contents.
2. Read through entire instruction before beginning assembly and installation.

NOTE: Components may be packaged in one or more additional boxes.



*****CAUTION*****

This equipment has been designed to be used for training only. Training equipment must be anchored AT ALL TIMES and shall be secured against overturning. Unsecured equipment or collision with equipment can result in serious injury or death. Train at a minimum distance of 5 yards from equipment. Do not climb on the net or frame at any time! All fastenings must be checked to ensure they are fully secured before and after each use of this product. Training equipment not in use must be disassembled and properly stored in a safe, secure area. Assembled training equipment should not be left unattended. Do not use this equipment during the threat of high winds. Training equipment should be checked for safety before and after each use. All warning and safety labels included with this product must be visible at all times.

Any modifications to this or any Kwik Goal product will void any and all warranties.



⚠️ WARNING

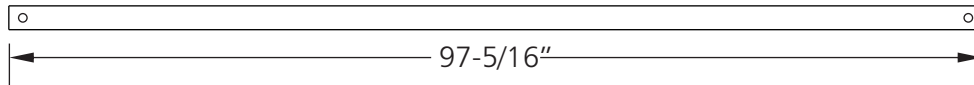
IMPORTANT SAFETY INSTRUCTIONS

READ CAREFULLY

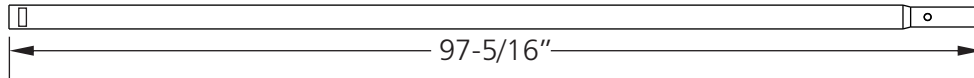
- Check for structural integrity and proper connecting hardware before every use. Replace damaged or missing parts or fasteners immediately.
- Safety/Warning labels must be clearly visible.
- Securely anchor training equipment at ALL times.
- Always instruct players, managers, coaches, trainers, teachers, maintenance workers and all other personnel who might come in contact with the equipment, on the safe handling of and potential dangers associated with training equipment.
- Always exercise extreme caution when moving equipment and provide adequate manpower to move equipment of varied sizes and weights. Training equipment should only be moved by authorized personnel.
- NEVER allow anyone to climb on the net or framework.
- Training equipment should only be used on LEVEL fields, NEVER on a slope or hill area.
- Remove nets when equipment is not in use.
- Most of the tip-over injuries occurred when equipment was unattended. Anchor or chain equipment to nearby fence posts, dugouts, or any other similar sturdy fixture when not in use. If this is not practical, store training equipment in a place where children cannot have access to it.
- Fully disassemble equipment for seasonal storage.

Parts

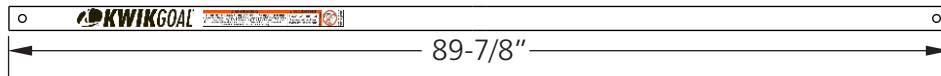
Crossbar (1)
(Part# WZ1003)



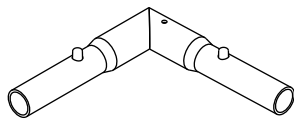
Crossbar w/ Swage (2)
(Part# UZ1549)



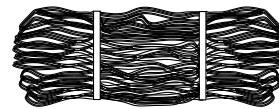
Post (2)
(Part# UZ1557)



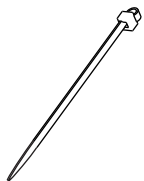
Crossbar Corner (2)
(Part# PT664 Pack of 2)



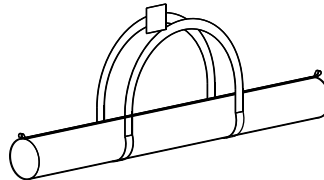
Net (1)
(Part# WC-24GAW)



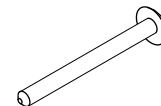
Plastic Cable Tie (4)
(Part# JZ310 Pack of 4)



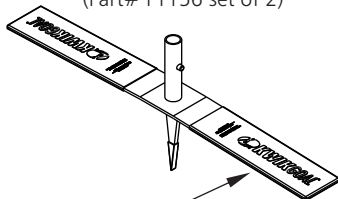
Carry Bag (1)
(Part# 5B406)



Pilot Hole Peg (1)
(Part# UZ847)

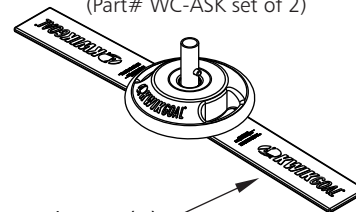


WC-240
Ground Shoes (2)
(Part# PT156 set of 2)



OR

WC-240AS
All Surface Shoes (2)
(Part# WC-ASK set of 2)



Ground Shoe End Cap (4)
(Part# VZ906-01)

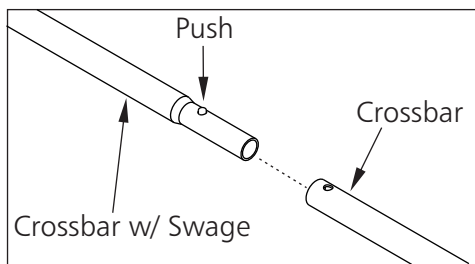
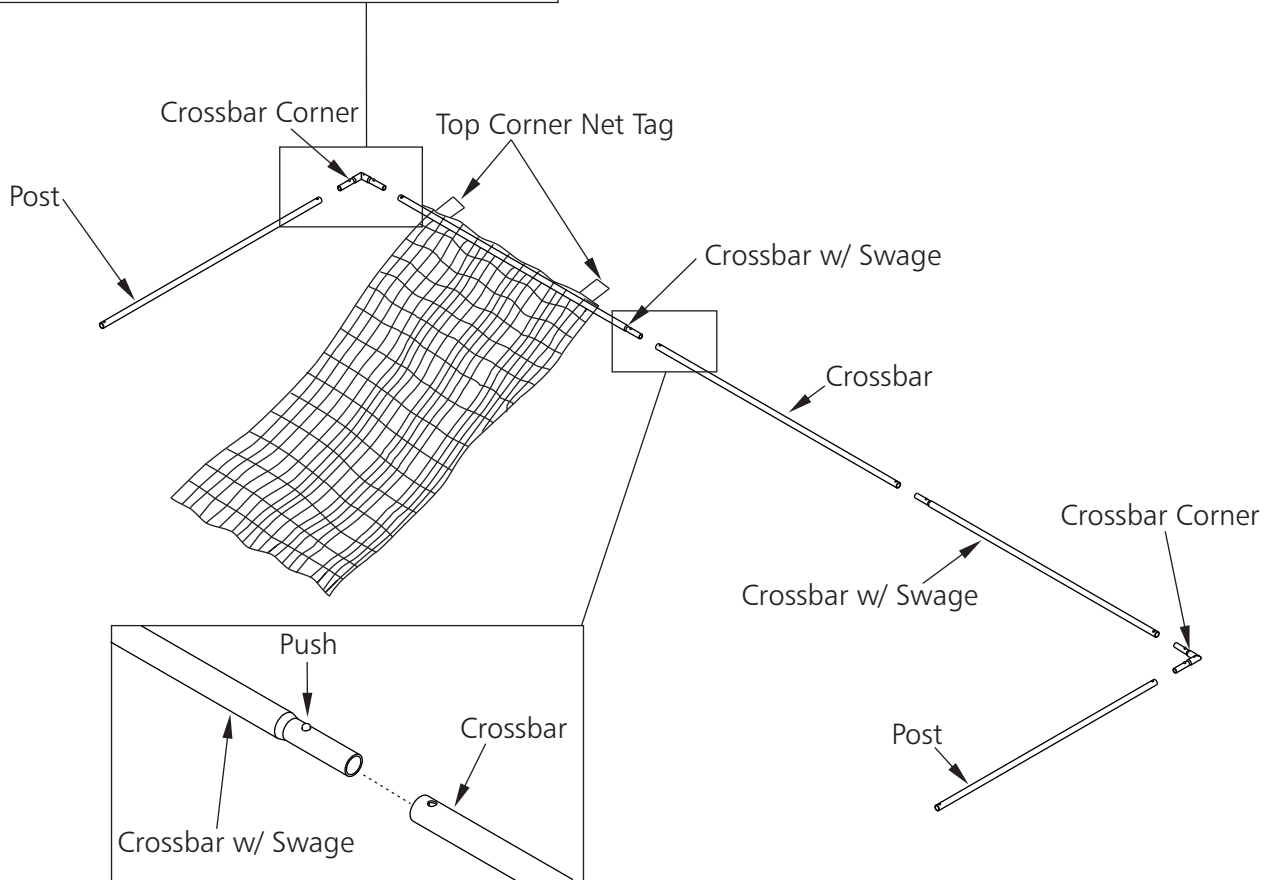
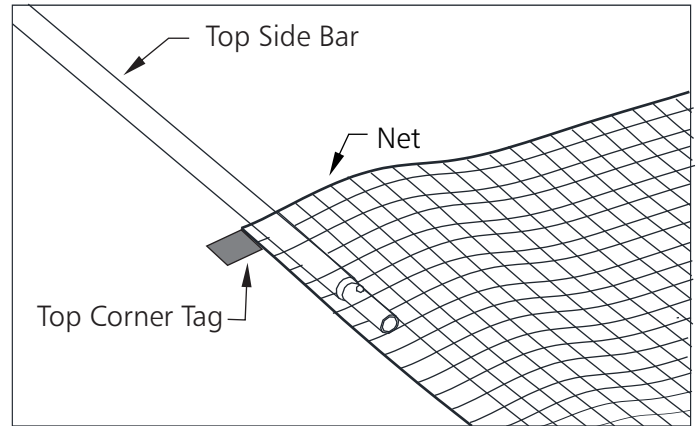
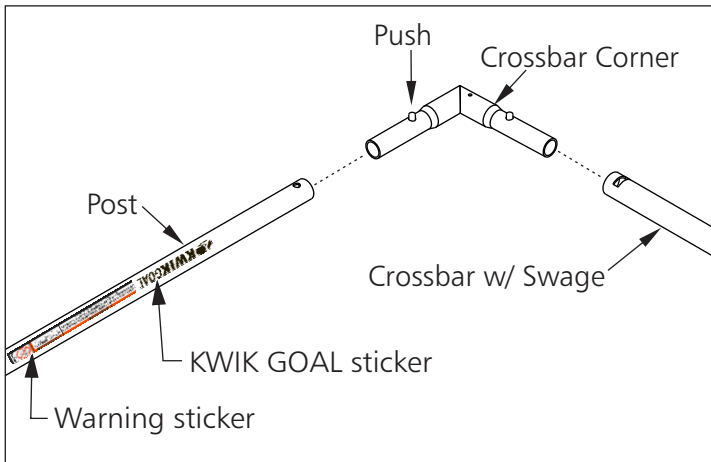
Ground Shoe End Cap (4)
(Part# VZ906-01)

*****CAUTION*****

This equipment has been designed to be used for training only. Training equipment must be anchored AT ALL TIMES and shall be secured against overturning. Unsecured equipment or collision with equipment can result in serious injury or death. Train at a minimum distance of 5 yards from equipment. Do not climb on the net or frame at any time! All fastenings must be checked to ensure they are fully secured before and after each use of this product. Training equipment not in use must be disassembled and properly stored in a safe, secure area. Assembled training equipment should not be left unattended. Do not use this equipment during the threat of high winds. Training equipment should be checked for safety before and after each use. All warning and safety labels included with this product must be visible at all times.

Any modifications to this or any Kwik Goal product will void any and all warranties.

3. Lay out crossbars and posts, take note of the direction of stickers on posts. Weave net on to one crossbar using top corner tags as a guide. Connect all crossbars and crossbar corners.

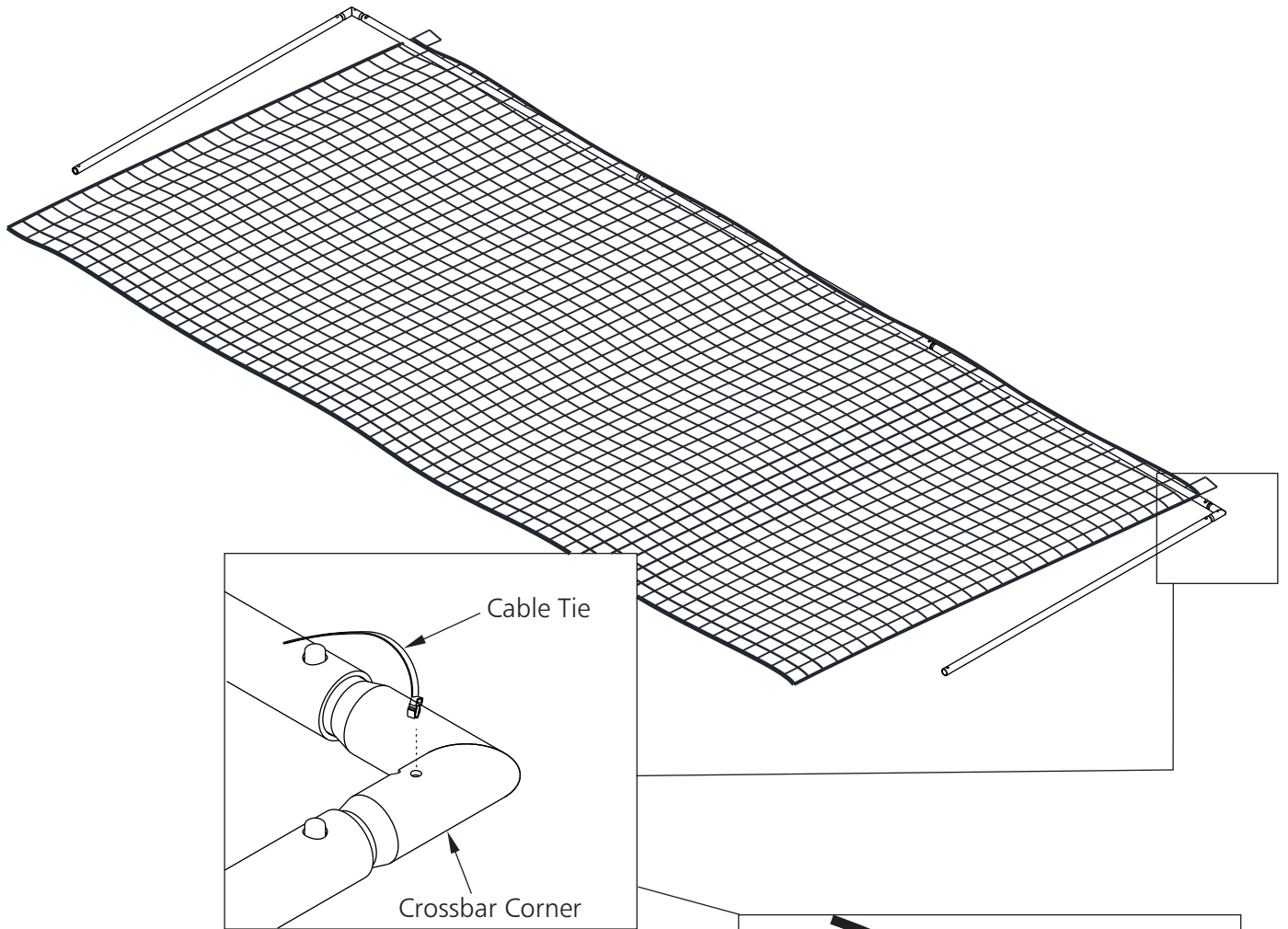


*****CAUTION*****

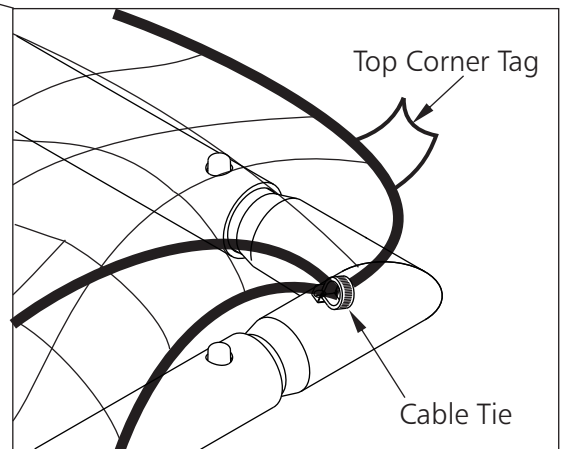
This equipment has been designed to be used for training only. Training equipment must be anchored AT ALL TIMES and shall be secured against overturning. Unsecured equipment or collision with equipment can result in serious injury or death. Train at a minimum distance of 5 yards from equipment. Do not climb on the net or frame at any time! All fastenings must be checked to ensure they are fully secured before and after each use of this product. Training equipment not in use must be disassembled and properly stored in a safe, secure area. Assembled training equipment should not be left unattended. Do not use this equipment during the threat of high winds. Training equipment should be checked for safety before and after each use. All warning and safety labels included with this product must be visible at all times.

Any modifications to this or any Kwik Goal product will void any and all warranties.

4. Spread net along assembled crossbars. To secure net to the corners, insert plastic cable ties into each crossbar corner.



5. Secure corners of net with cable ties, using top corner tags as a guide.



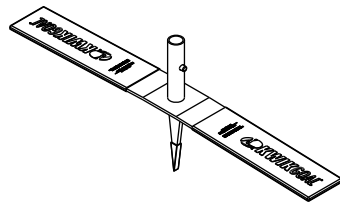
*****CAUTION*****

This equipment has been designed to be used for training only. Training equipment must be anchored AT ALL TIMES and shall be secured against overturning. Unsecured equipment or collision with equipment can result in serious injury or death. Train at a minimum distance of 5 yards from equipment. Do not climb on the net or frame at any time! All fastenings must be checked to ensure they are fully secured before and after each use of this product. Training equipment not in use must be disassembled and properly stored in a safe, secure area. Assembled training equipment should not be left unattended. Do not use this equipment during the threat of high winds. Training equipment should be checked for safety before and after each use. All warning and safety labels included with this product must be visible at all times.

Any modifications to this or any Kwik Goal product will void any and all warranties.

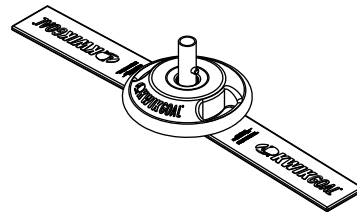
6. WC-240AS - skip to step 10 for WC-240 continue to step 7.

WC-240
Ground Shoes (2)
(Part# PT156 set of 2)

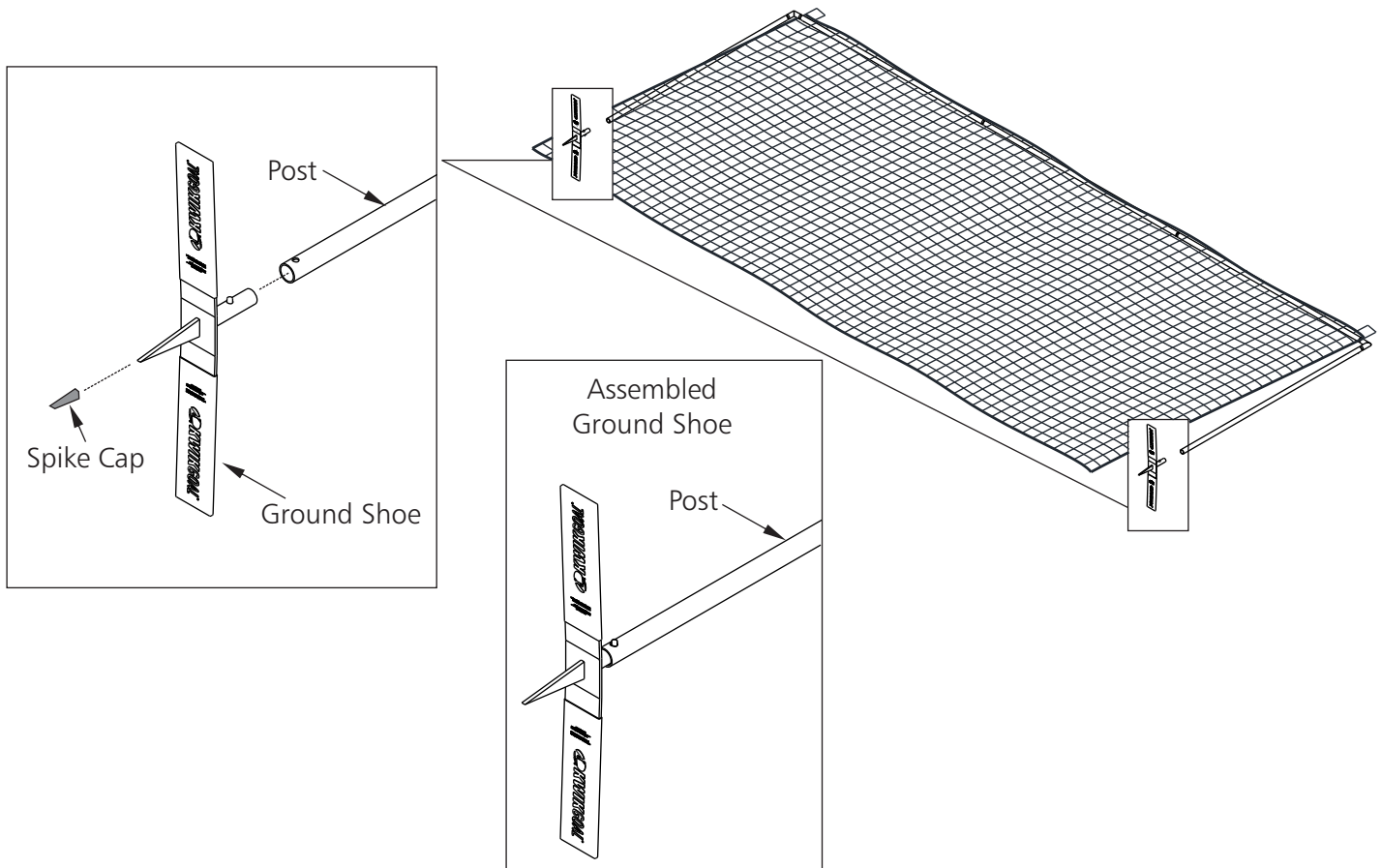


OR

WC-240AS
All Surface Shoes (2)
(Part# WC-ASK set of 2)



7. Connect ground shoes to post and remove spike cap from ground shoe.



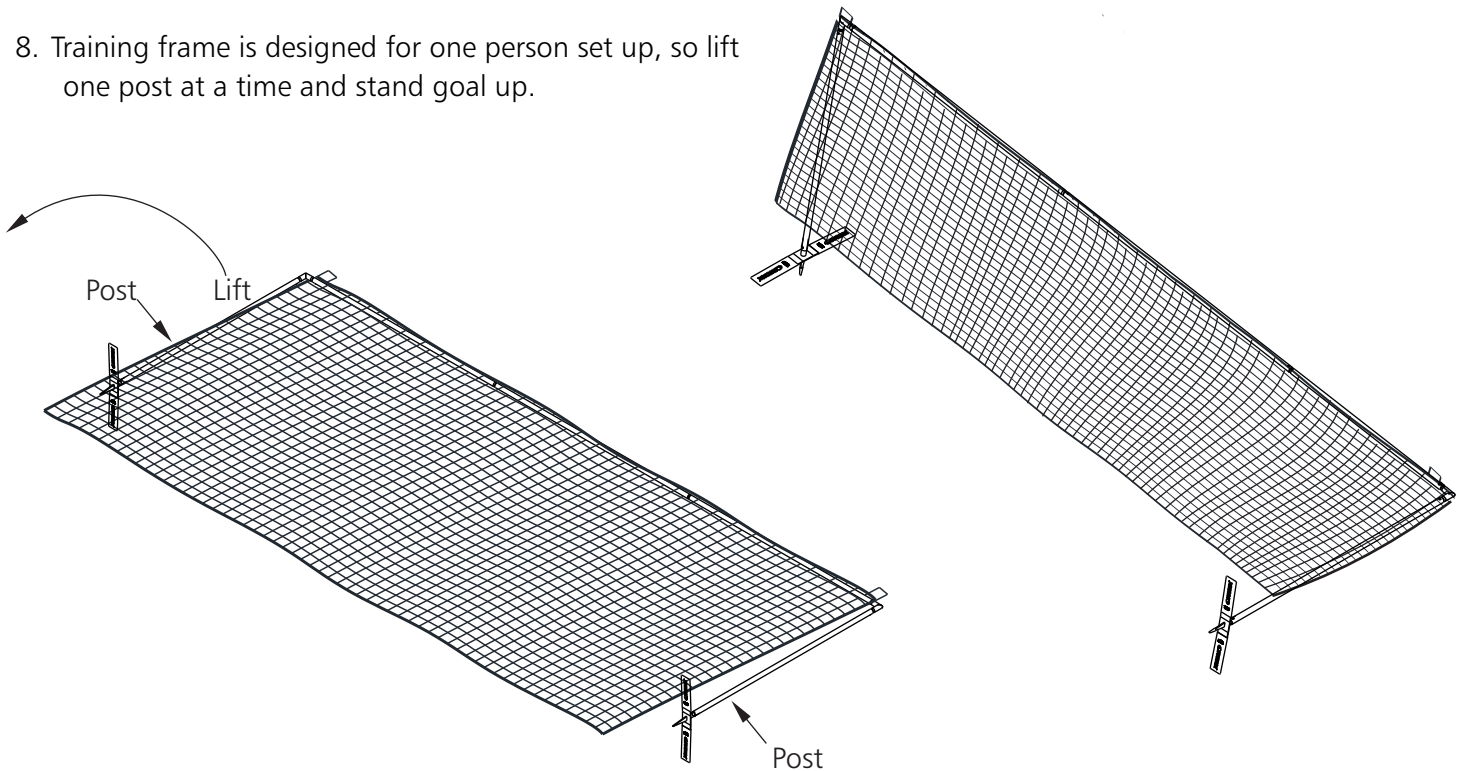
CAUTION

This equipment has been designed to be used for training only. Training equipment must be anchored AT ALL TIMES and shall be secured against overturning. Unsecured equipment or collision with equipment can result in serious injury or death. Train at a minimum distance of 5 yards from equipment. Do not climb on the net or frame at any time! All

fastenings must be checked to ensure they are fully secured before and after each use of this product. Training equipment not in use must be disassembled and properly stored in a safe, secure area. Assembled training equipment should not be left unattended. Do not use this equipment during the threat of high winds. Training equipment should be checked for safety before and after each use. All warning and safety labels included with this product must be visible at all times.

Any modifications to this or any Kwik Goal product will void any and all warranties.

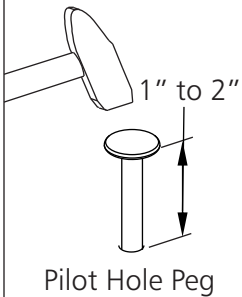
8. Training frame is designed for one person set up, so lift one post at a time and stand goal up.



9. Push one ground shoe into field surface with foot as shown in step 3. If soil conditions are hard, mark ground shoe location and use pilot hole peg and follow steps 9.1 through 9.3.

Step 9.1

Hammer into ground until 2" of pilot hole peg left.



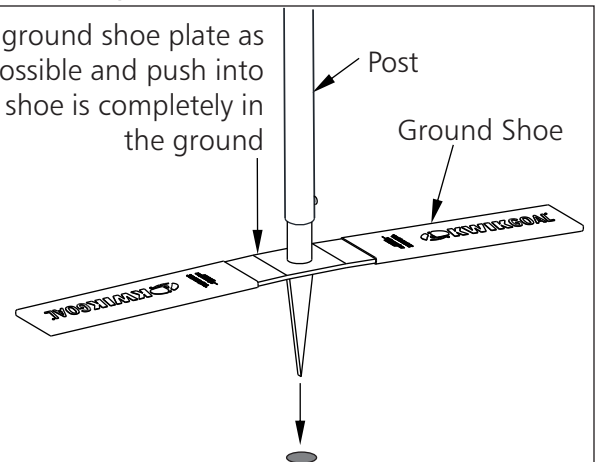
Step 9.2

Pull pilot hole peg straight out of hole



Step 9.3

Place one foot on ground shoe plate as close to the post as possible and push into ground until ground shoe is completely in the ground



WARNING

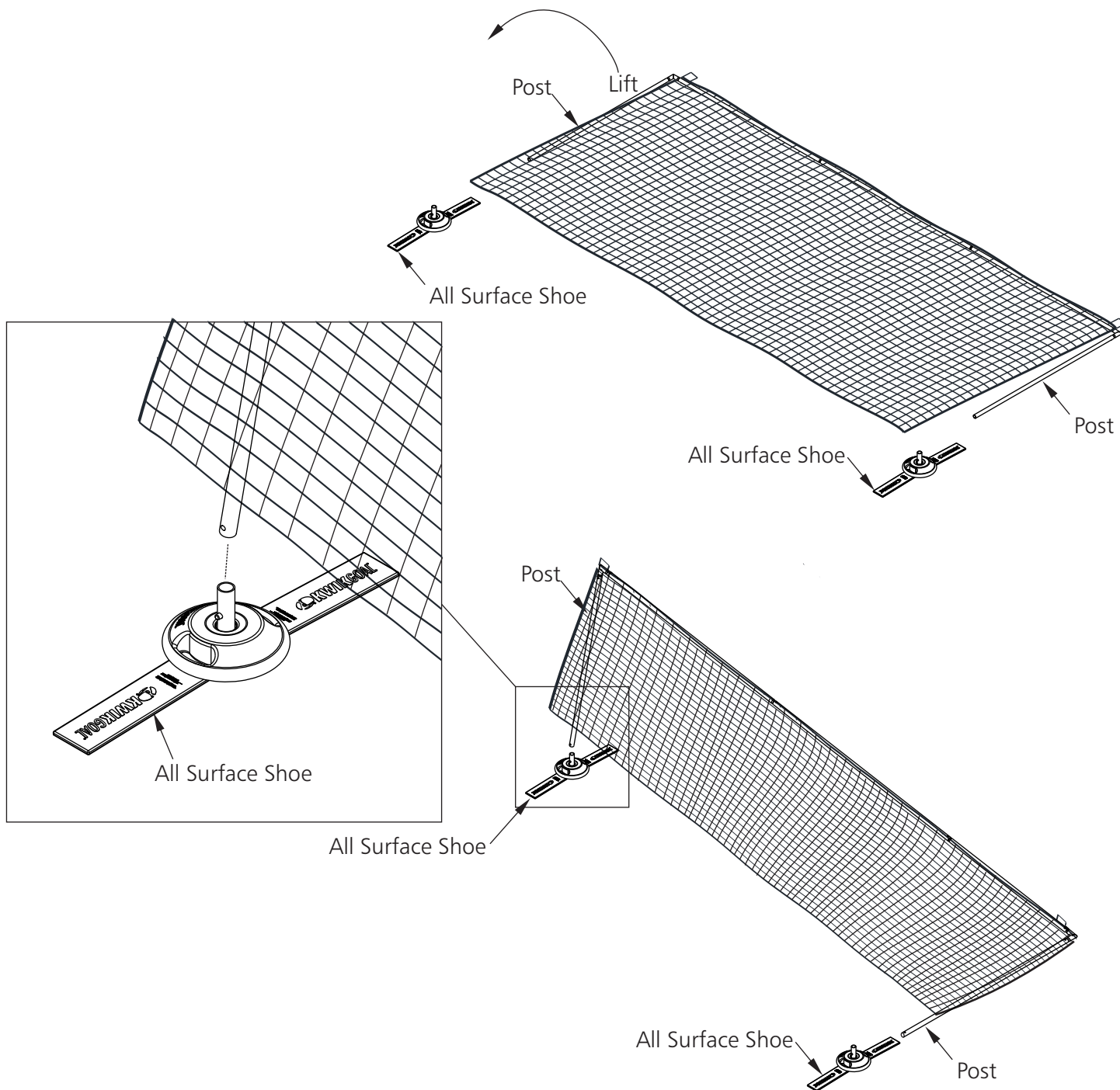
UNDER NO CIRCUMSTANCES SHOULD A HAMMER BE USED TO HIT GROUND SHOE INTO SOIL. USING A HAMMER ON GROUND SHOE WILL CAUSE DAMAGE TO GROUND SHOE. A PILOT HOLE PEG HAS BEEN PROVIDED FOR HARD SOIL CONDITIONS.

*****CAUTION*****

This equipment has been designed to be used for training only. Training equipment must be anchored AT ALL TIMES and shall be secured against overturning. Unsecured equipment or collision with equipment can result in serious injury or death. Train at a minimum distance of 5 yards from equipment. Do not climb on the net or frame at any time! All fastenings must be checked to ensure they are fully secured before and after each use of this product. Training equipment not in use must be disassembled and properly stored in a safe, secure area. Assembled training equipment should not be left unattended. Do not use this equipment during the threat of high winds. Training equipment should be checked for safety before and after each use. All warning and safety labels included with this product must be visible at all times.

Any modifications to this or any Kwik Goal product will void any and all warranties.

10. If using spiked ground shoes, skip to step 11. Training frame is designed for one person set up, lay all surface shoes at each post at desired location. Lift one post at a time and connect all surface shoe to post, repeat for opposite post.

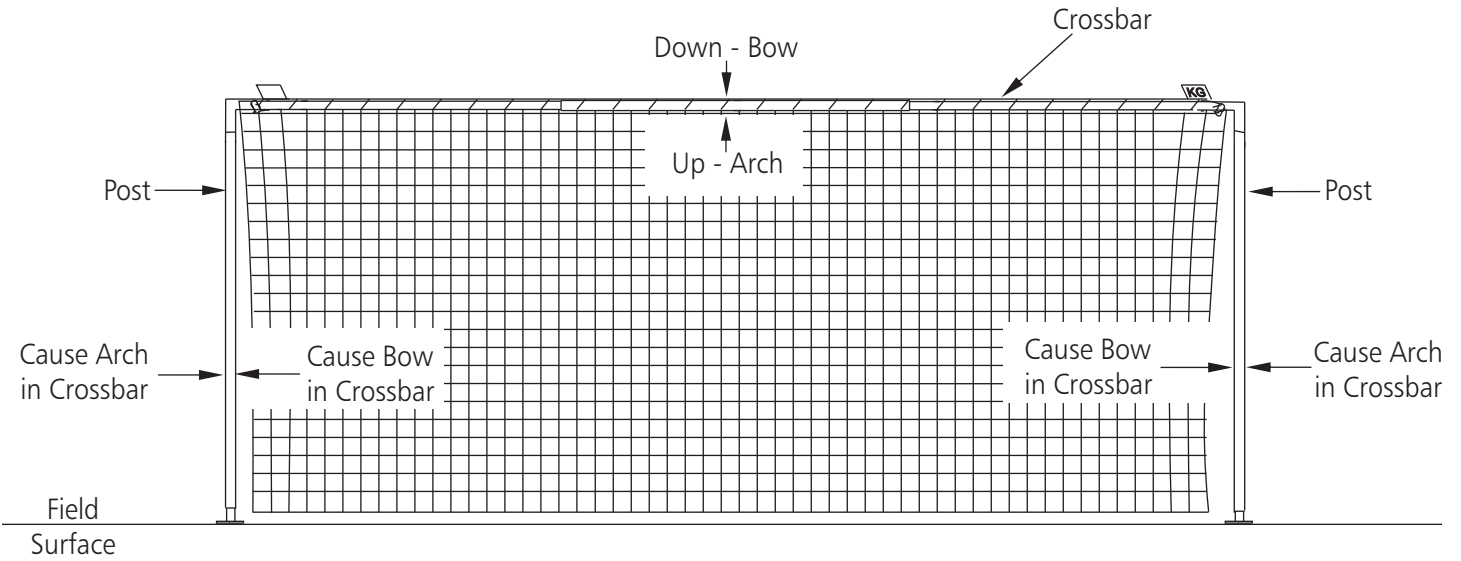


*****CAUTION*****

This equipment has been designed to be used for training only. Training equipment must be anchored AT ALL TIMES and shall be secured against overturning. Unsecured equipment or collision with equipment can result in serious injury or death. Train at a minimum distance of 5 yards from equipment. Do not climb on the net or frame at any time! All fastenings must be checked to ensure they are fully secured before and after each use of this product. Training equipment not in use must be disassembled and properly stored in a safe, secure area. Assembled training equipment should not be left unattended. Do not use this equipment during the threat of high winds. Training equipment should be checked for safety before and after each use. All warning and safety labels included with this product must be visible at all times.

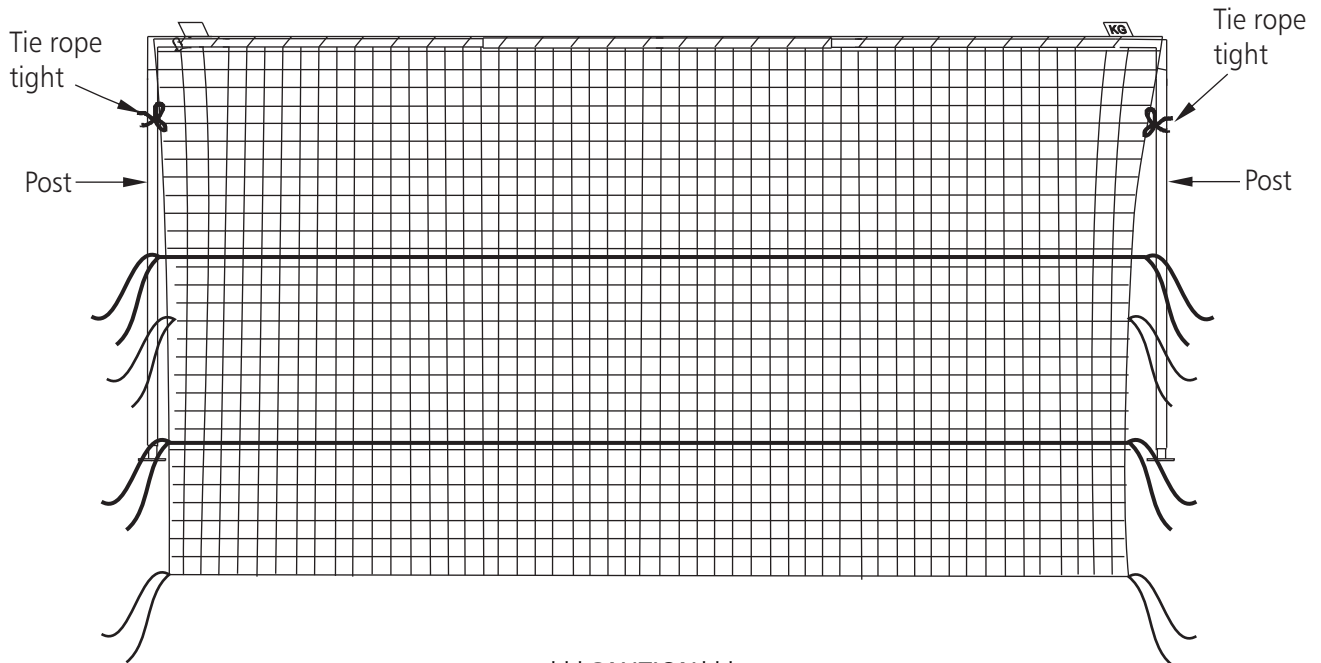
Any modifications to this or any Kwik Goal product will void any and all warranties.

11. After one ground shoe is in place move opposite shoe in or out to get posts plumb and crossbar level.



12. The net of the NXT training frame can be fastened in various configurations to determine ball reaction. See the following diagrams for suggestions.

12.1. To allow balls to pass through the net, tie only the top ropes tightly to each post. Leave all others untied.

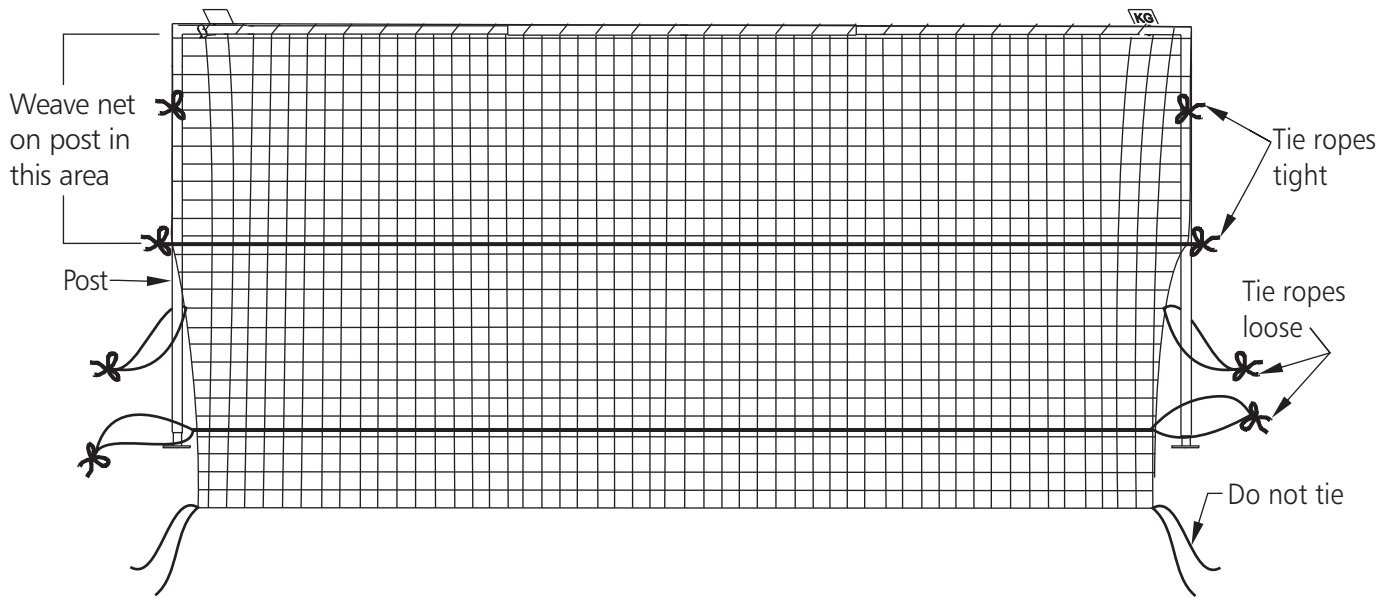


*****CAUTION*****

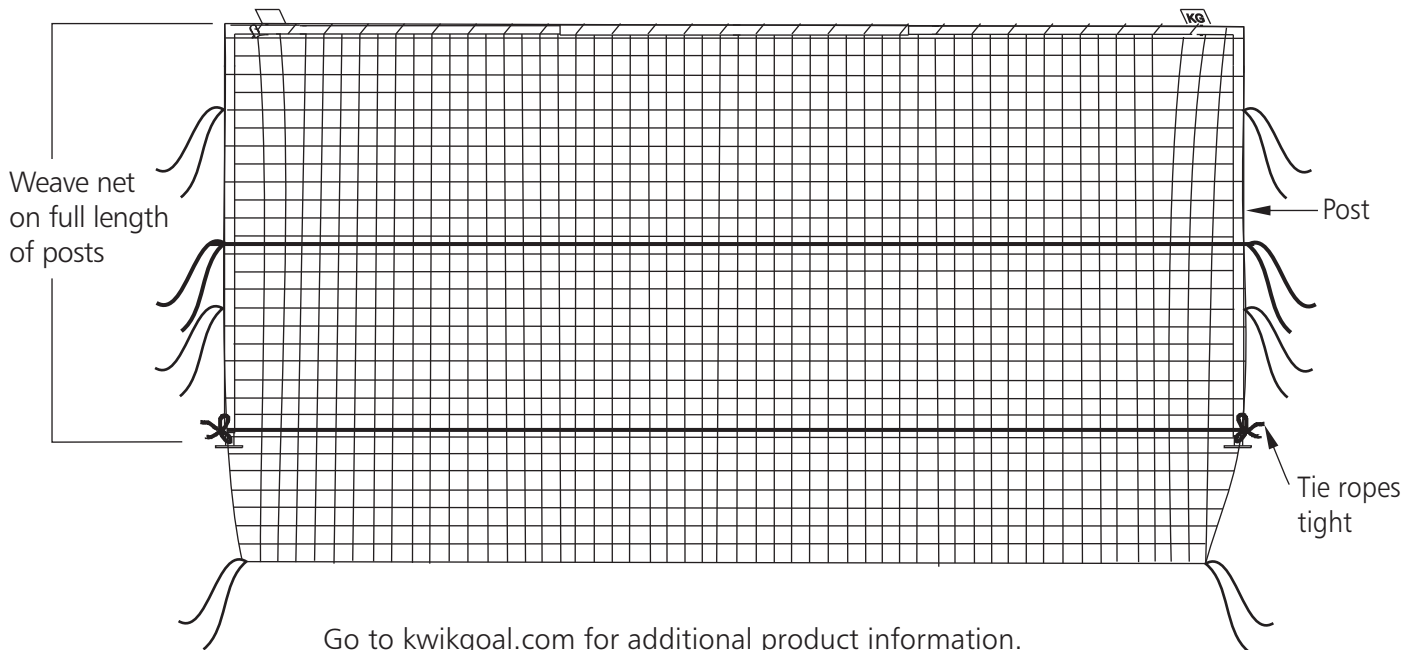
This equipment has been designed to be used for training only. Training equipment must be anchored AT ALL TIMES and shall be secured against overturning. Unsecured equipment or collision with equipment can result in serious injury or death. Train at a minimum distance of 5 yards from equipment. Do not climb on the net or frame at any time! All fastenings must be checked to ensure they are fully secured before and after each use of this product. Training equipment not in use must be disassembled and properly stored in a safe, secure area. Assembled training equipment should not be left unattended. Do not use this equipment during the threat of high winds. Training equipment should be checked for safety before and after each use. All warning and safety labels included with this product must be visible at all times.

Any modifications to this or any Kwik Goal product will void any and all warranties.

12.2. To allow low balls to pass through the net, and high balls to remain with the shooter, weave the top half of the net onto the posts and tie the top two ropes tightly to each post. Tie the third and fourth ropes loosely around posts. Leave bottom rope untied.



12.3. To stop all balls, weave net onto full length of post on both sides. Tie fourth ropes tightly at bottom of each post. Leave all other ropes untied.



Go to kwikgoal.com for additional product information.

*****CAUTION*****

This equipment has been designed to be used for training only. Training equipment must be anchored AT ALL TIMES and shall be secured against overturning. Unsecured equipment or collision with equipment can result in serious injury or death. Train at a minimum distance of 5 yards from equipment. Do not climb on the net or frame at any time! All fastenings must be checked to ensure they are fully secured before and after each use of this product. Training equipment not in use must be disassembled and properly stored in a safe, secure area. Assembled training equipment should not be left unattended. Do not use this equipment during the threat of high winds. Training equipment should be checked for safety before and after each use. All warning and safety labels included with this product must be visible at all times.

Any modifications to this or any Kwik Goal product will void any and all warranties.