

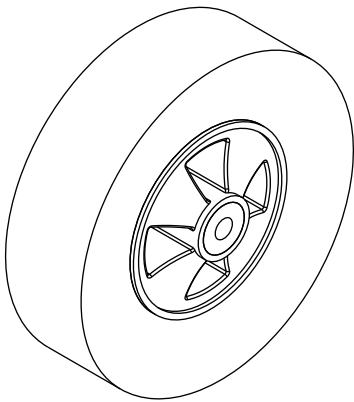


ASSEMBLY INSTRUCTIONS FOR 10B409 (WHEEL OPTION FOR  
FUSION AND EUROPEAN MATCH GOALS)

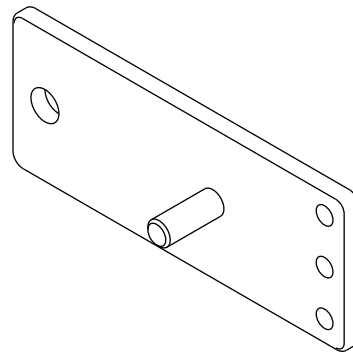
1. Unpack all parts and check for damage that may have occurred during shipping. If damage has occurred, notify Kwik Goal immediately. Lay out all parts. Remove all cardboard and packaging immediately. Wet or damp packaging may damage contents.
2. Read through entire instruction before beginning assembly and installation.

Parts

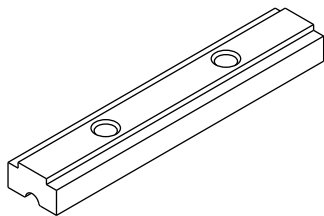
Tire and Wheel Assembly (4)  
(Part# VZ349)



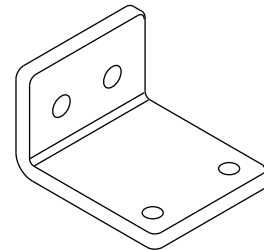
Stop Plate (4)  
(Part# UZ1254)



Threaded Channel Spacer (4)  
(Part# UZ691)



Mounting Bracket (4)  
(Part# UZ659)



**\*\*\*CAUTION\*\*\***

This goal has been designed to be used for the game of soccer only. Goal posts must be anchored AT ALL TIMES and shall be secured against overturning. Do not climb on the net or goal framework at any time! All fastenings must be checked to insure they are fully tightened before and after each use of this product. Goal posts not in use must be disassembled and properly stored in a safe, secure area (See included Guidelines for Movable Soccer Goal Safety.). Assembled goal posts should not be left unattended. Remove nets when goals are not in use. Do not use this equipment during the threat of high winds. Goal posts should be checked for safety before and after each use. All warning and safety labels included with this product must be visible at all times. Any modifications to this or any Kwik Goal product will void any and all warranties.

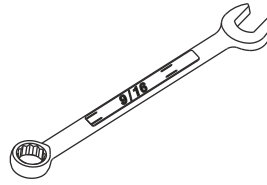
## Hardware

Note: Hardware may be packaged separately in one or more boxes. Open all packages before beginning assembly.

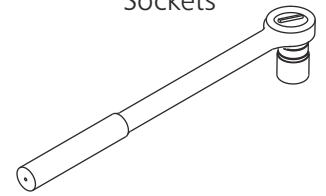
3/8" x 1" Hex Bolt (Part# TZ1)	(8)
3/8" x 3/4" Socket Head (Part# TZ208)	(4)
3/8" Lock Washer (Part# TZ65)	(8)
3/8" Flat Washer (Part# TZ60)	(8)
3/8" Lock Nut (Part# TZ370)	(4)
1/2" Flat Washer (Part# TZ297)	(4)
1/2" Lock Nut (Part# TZ28)	(4)
5/8" x 3 1/2" Hex Bolt (Part# TZ369)	(4)
5/8" Lock Nut (Part# TZ294)	(4)
5/8" Jam Nut (Part# TZ108)	(4)
Large Nylon Washer (Part# TZ204)	(4)
Anti-Seize (Part# VZ327)	(1)

## Assembly Tools

9/16", 3/4" & 15/16"  
Wrenches



Ratchet with  
9/16", 3/4" & 15/16"  
Sockets

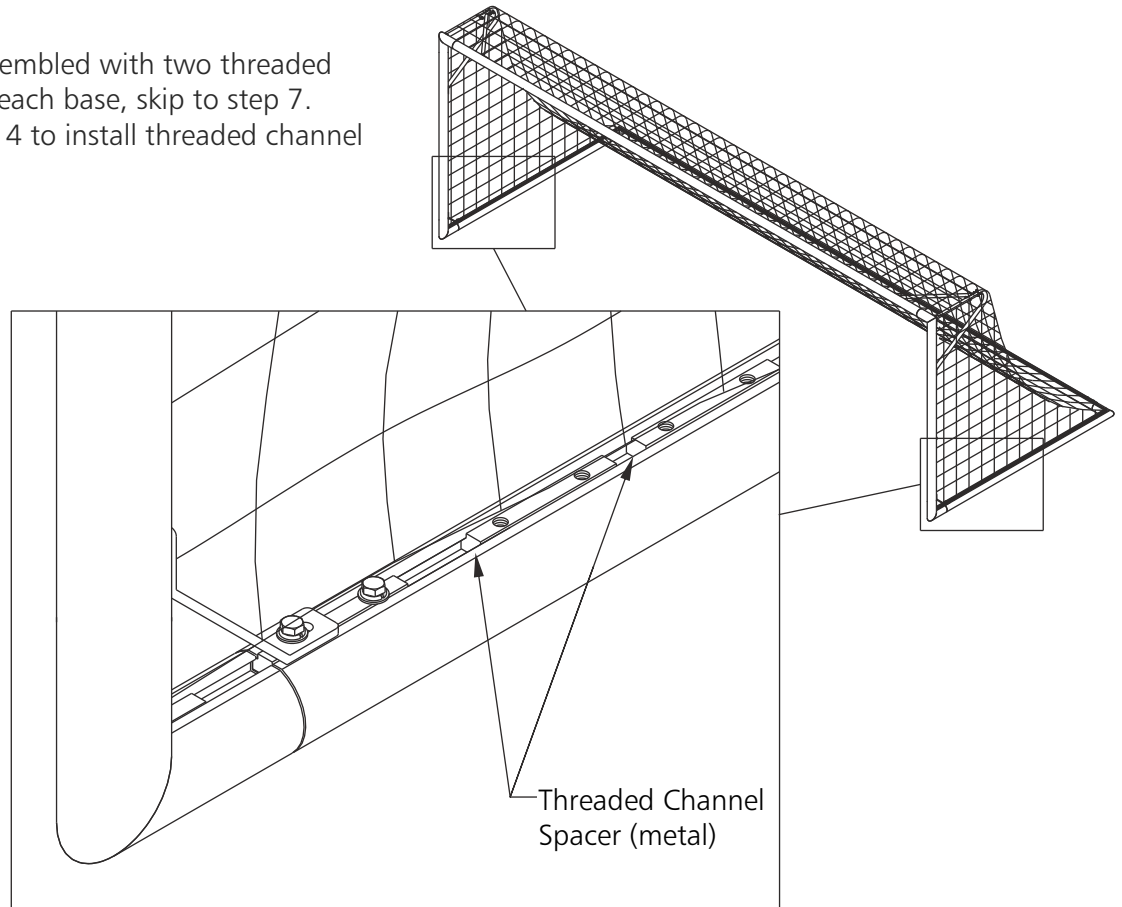


AND

5/16" Hex  
Wrench



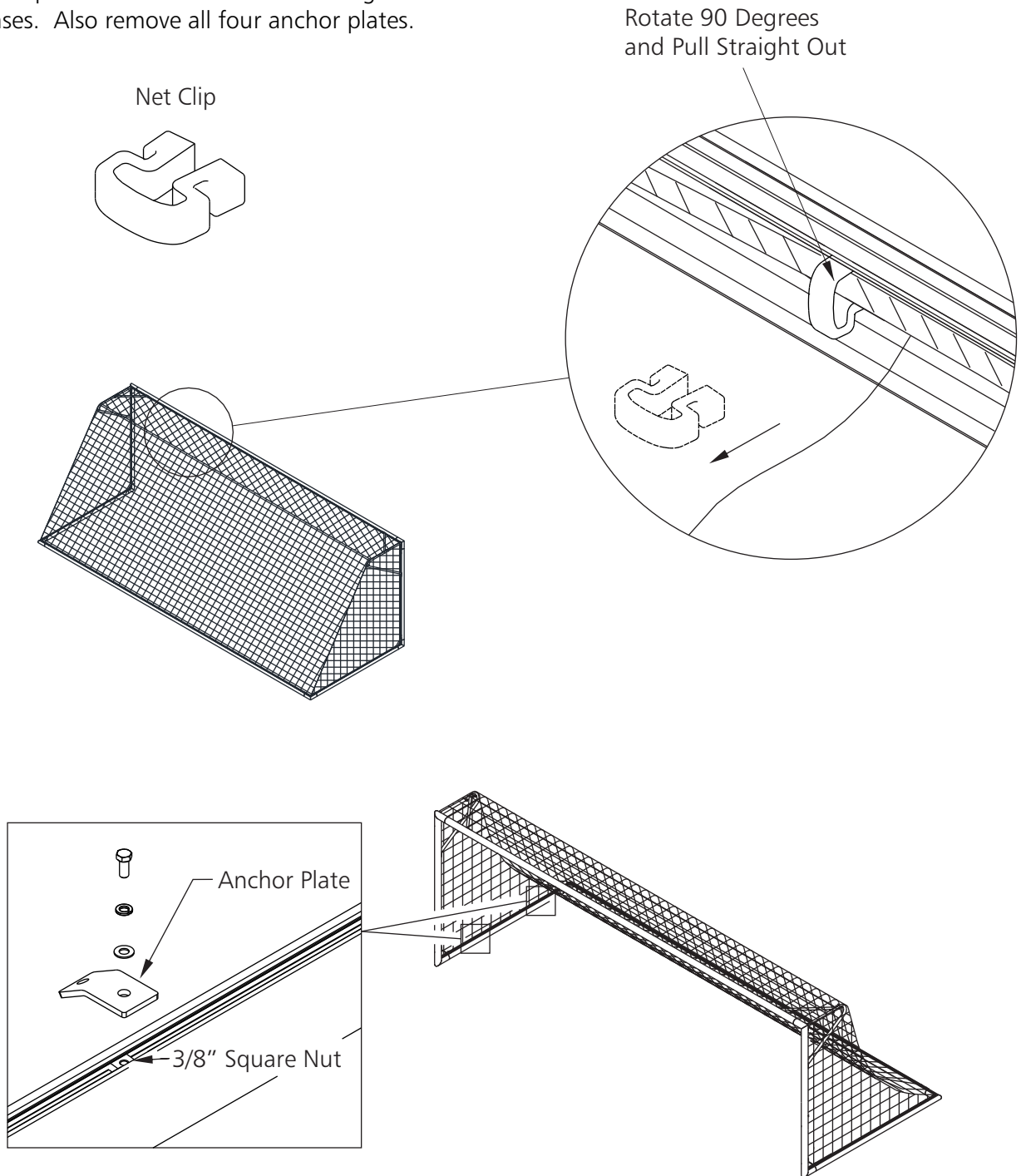
3. If goal has been assembled with two threaded channel spacers in each base, skip to step 7. Continue with step 4 to install threaded channel spacers.



### \*\*\*CAUTION\*\*\*

This goal has been designed to be used for the game of soccer only. Goal posts must be anchored AT ALL TIMES and shall be secured against overturning. Do not climb on the net or goal framework at any time! All fastenings must be checked to insure they are fully tightened before and after each use of this product. Goal posts not in use must be disassembled and properly stored in a safe, secure area (See included Guidelines for Movable Soccer Goal Safety.). Assembled goal posts should not be left unattended. Remove nets when goals are not in use. Do not use this equipment during the threat of high winds. Goal posts should be checked for safety before and after each use. All warning and safety labels included with this product must be visible at all times. Any modifications to this or any Kwik Goal product will void any and all warranties.

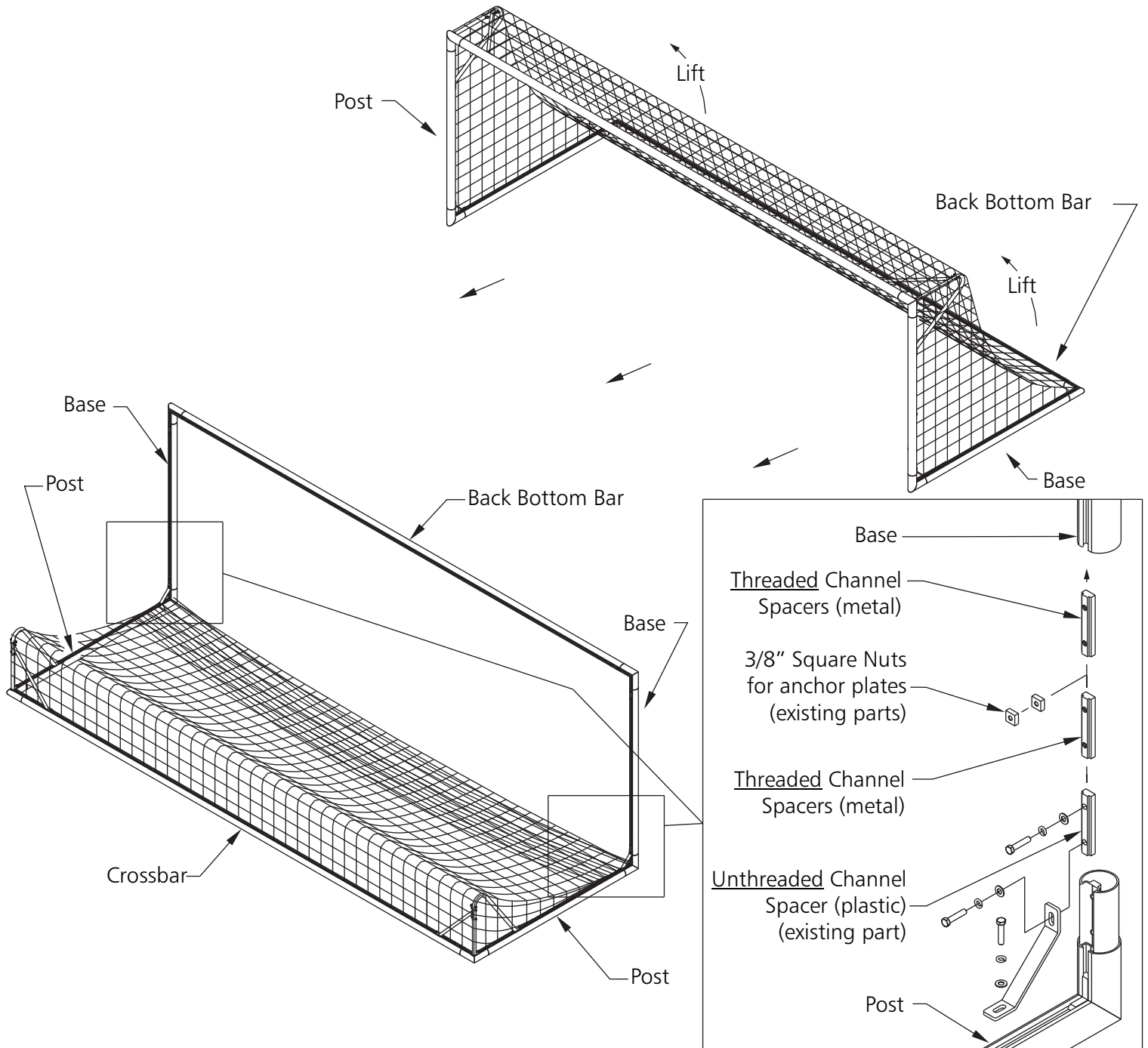
4. Remove net clips from back bottom bar and right and left bases. Also remove all four anchor plates.



**\*\*\*CAUTION\*\*\***

This goal has been designed to be used for the game of soccer only. Goal posts must be anchored AT ALL TIMES and shall be secured against overturning. Do not climb on the net or goal framework at any time! All fastenings must be checked to insure they are fully tightened before and after each use of this product. Goal posts not in use must be disassembled and properly stored in a safe, secure area (See included Guidelines for Movable Soccer Goal Safety.). Assembled goal posts should not be left unattended. Remove nets when goals are not in use. Do not use this equipment during the threat of high winds. Goal posts should be checked for safety before and after each use. All warning and safety labels included with this product must be visible at all times. Any modifications to this or any Kwik Goal product will void any and all warranties.

5. Turn goal onto posts. Remove left and right bases from posts and insert two threaded channel spacers into each base.



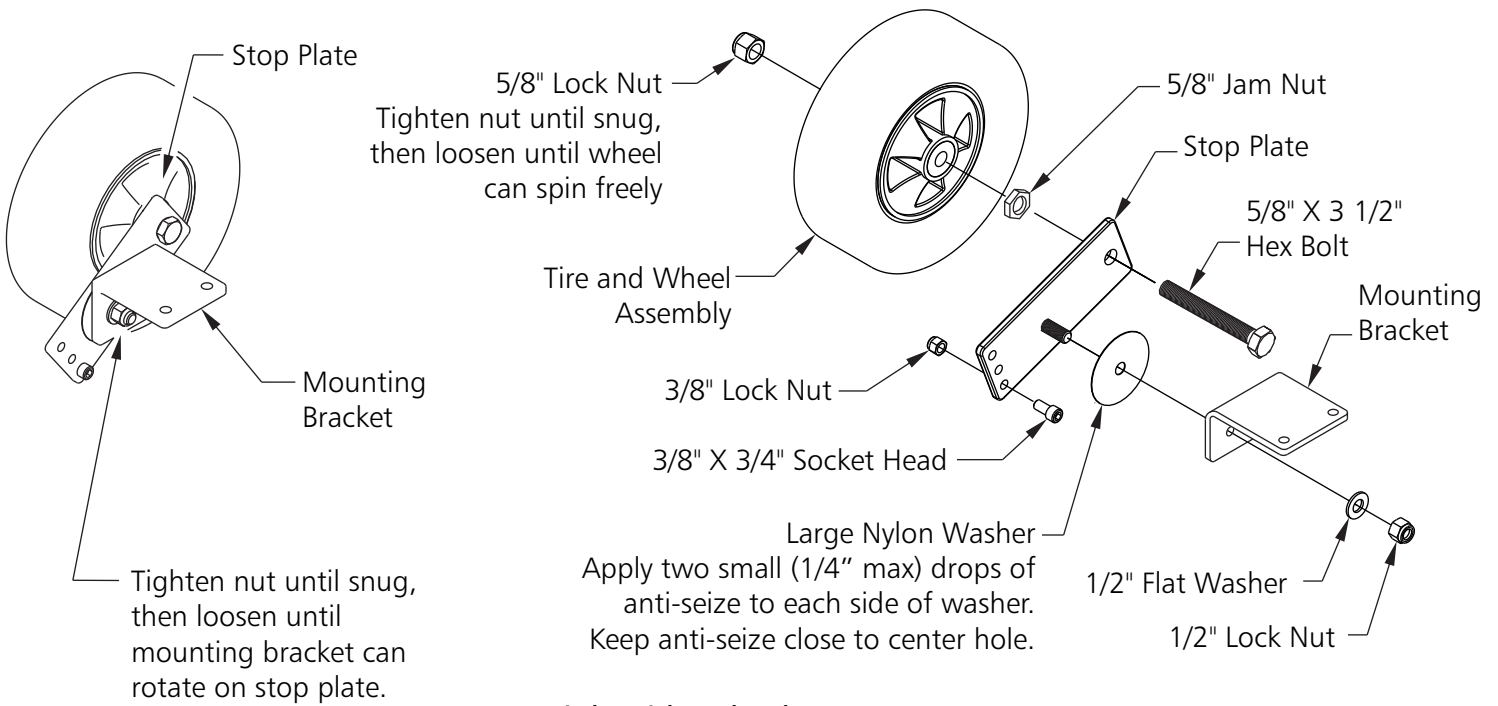
6. Re-assemble bases, post braces, anchor plates and all hardware. Replace any worn or damaged hardware prior to assembly.

**\*\*\*CAUTION\*\*\***

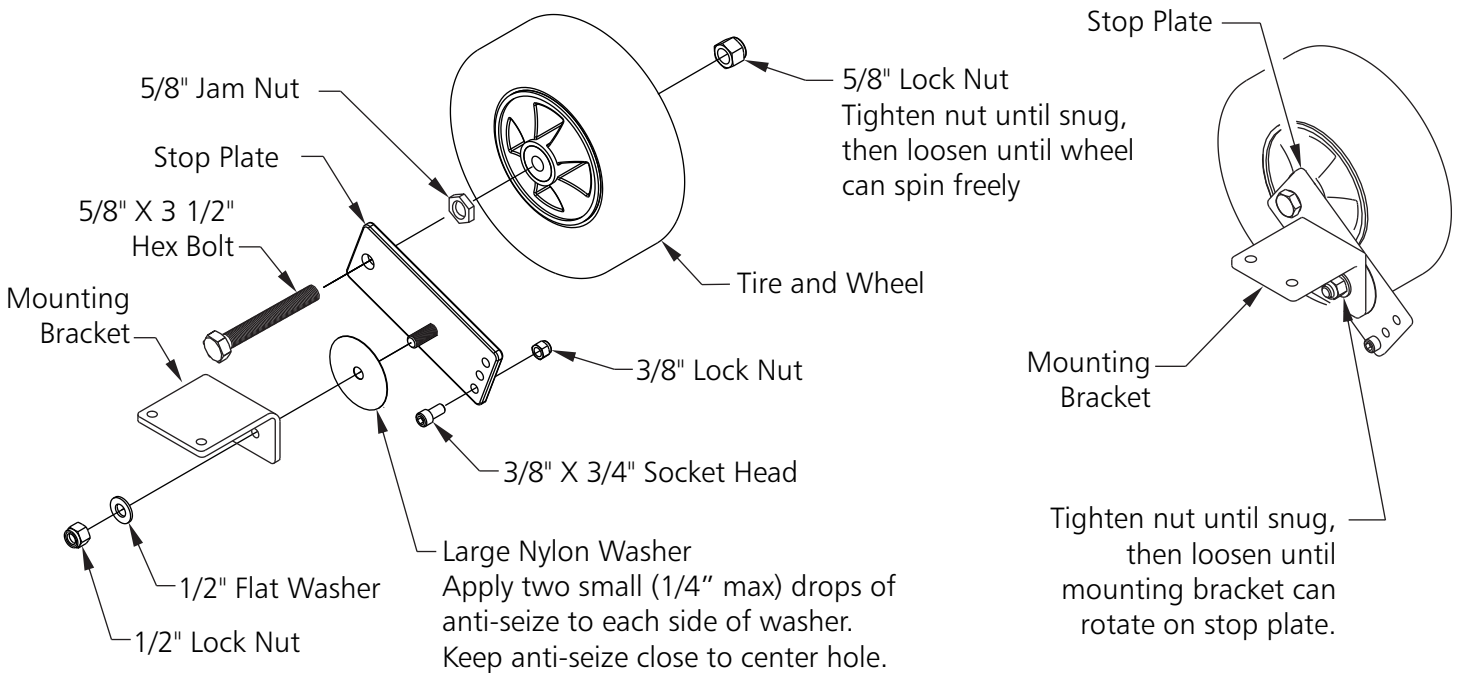
This goal has been designed to be used for the game of soccer only. Goal posts must be anchored AT ALL TIMES and shall be secured against overturning. Do not climb on the net or goal framework at any time! All fastenings must be checked to insure they are fully tightened before and after each use of this product. Goal posts not in use must be disassembled and properly stored in a safe, secure area (See included Guidelines for Movable Soccer Goal Safety.). Assembled goal posts should not be left unattended. Remove nets when goals are not in use. Do not use this equipment during the threat of high winds. Goal posts should be checked for safety before and after each use. All warning and safety labels included with this product must be visible at all times. Any modifications to this or any Kwik Goal product will void any and all warranties.

7. Assemble left and right wheel assemblies as shown, except 2B3706 & 2B3916. For 2B3706 & 2B3916 continue to step 8.

### Left Side Wheel



### Right Side Wheel

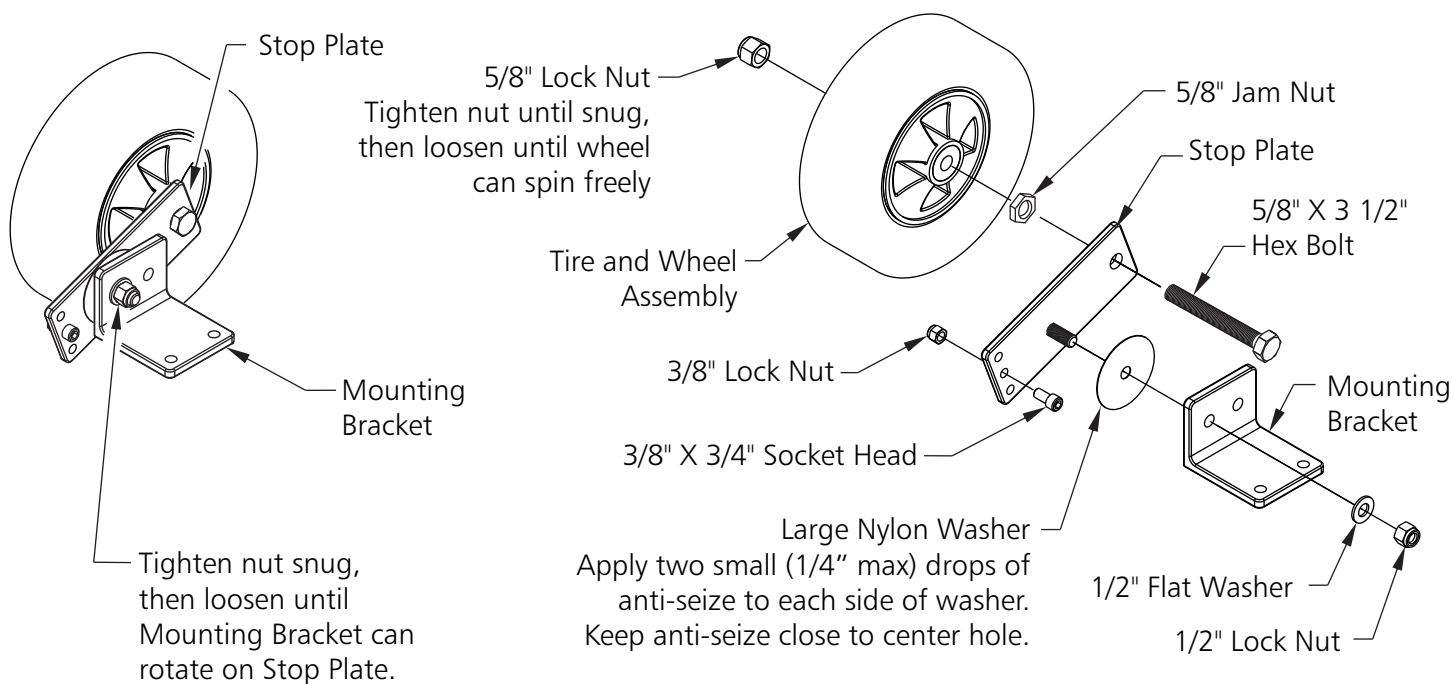


### \*\*\*CAUTION\*\*\*

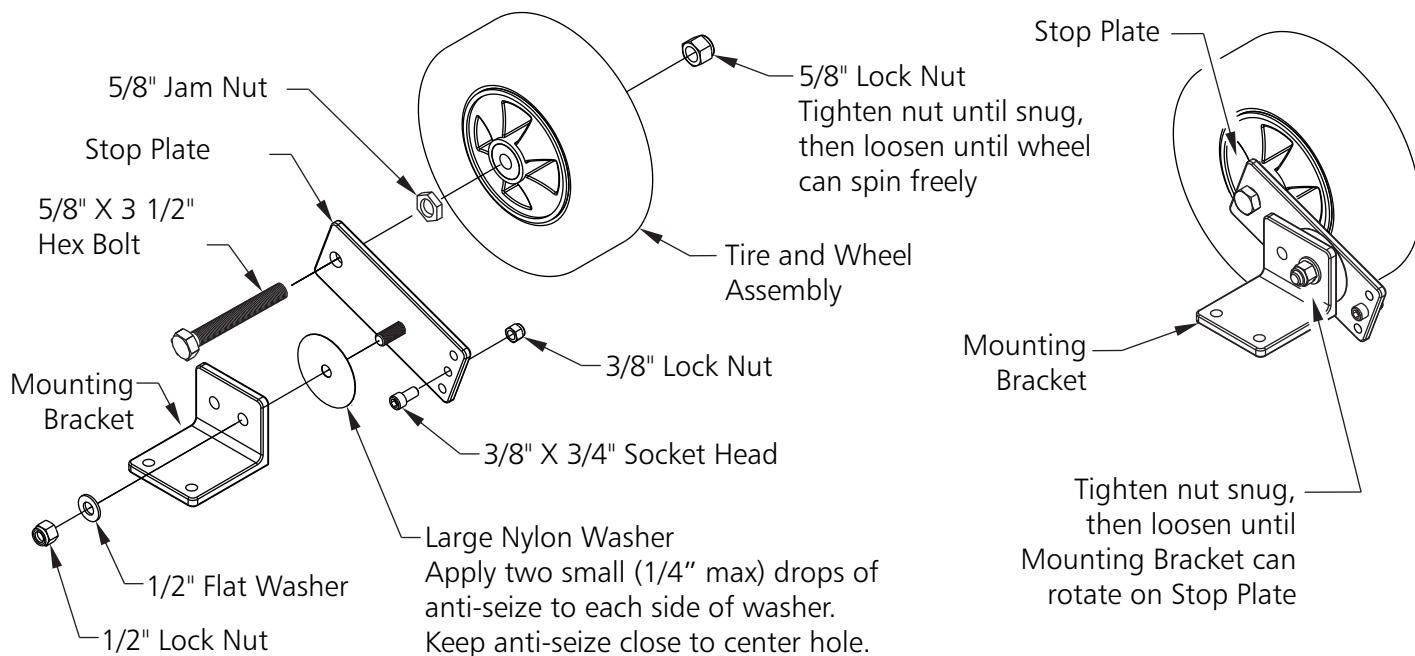
This goal has been designed to be used for the game of soccer only. Goal posts must be anchored AT ALL TIMES and shall be secured against overturning. Do not climb on the net or goal framework at any time! All fastenings must be checked to insure they are fully tightened before and after each use of this product. Goal posts not in use must be disassembled and properly stored in a safe, secure area (See included Guidelines for Movable Soccer Goal Safety.). Assembled goal posts should not be left unattended. Remove nets when goals are not in use. Do not use this equipment during the threat of high winds. Goal posts should be checked for safety before and after each use. All warning and safety labels included with this product must be visible at all times. Any modifications to this or any Kwik Goal product will void any and all warranties.

8. 2B3706 & 2B3916 left and right wheel assemblies shown below . For installation of the wheel assemblies on the 2B3706 & 2B3916 Goals proceed to step 11.

### Left Side Wheels



### Right Side Wheels

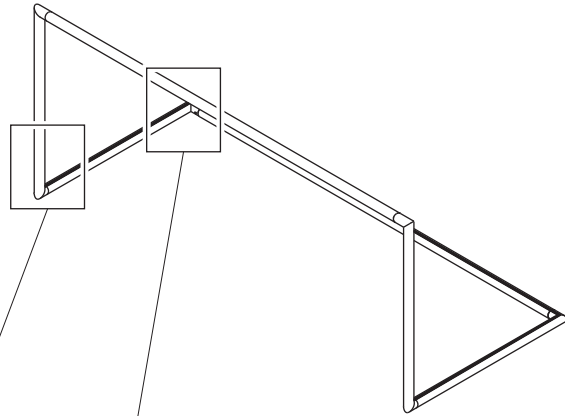
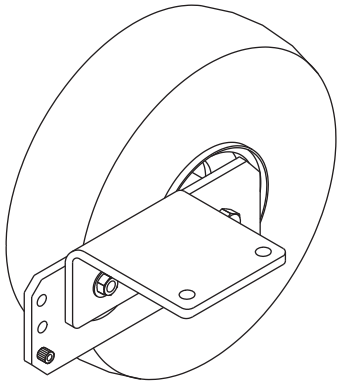


### \*\*\*CAUTION\*\*\*

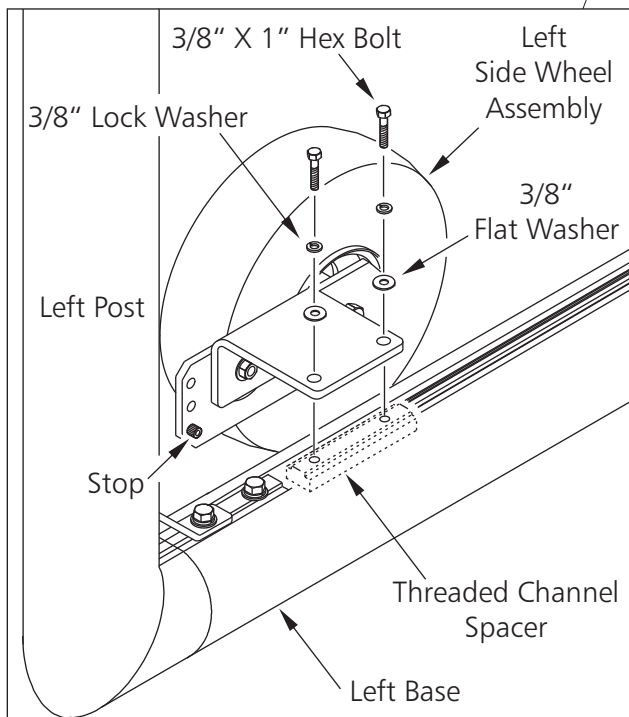
This goal has been designed to be used for the game of soccer only. Goal posts must be anchored AT ALL TIMES and shall be secured against overturning. Do not climb on the net or goal framework at any time! All fastenings must be checked to insure they are fully tightened before and after each use of this product. Goal posts not in use must be disassembled and properly stored in a safe, secure area (See included Guidelines for Movable Soccer Goal Safety.). Assembled goal posts should not be left unattended. Remove nets when goals are not in use. Do not use this equipment during the threat of high winds. Goal posts should be checked for safety before and after each use. All warning and safety labels included with this product must be visible at all times. Any modifications to this or any Kwik Goal product will void any and all warranties.

9. Attach left wheel assemblies to goal as shown, except 2B3706 & 2B3916. 2B3706 & 2B3916 continue to step 11.

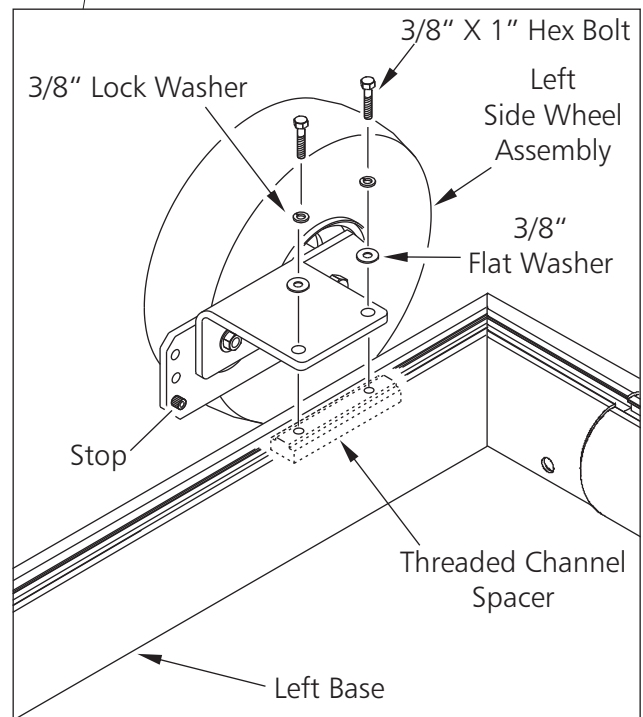
Left Side Wheel Assembly



Front Left Side Wheel Assembly  
Mount as far front as possible.



Rear Left Side Wheel Assembly  
Mount as far back as possible.

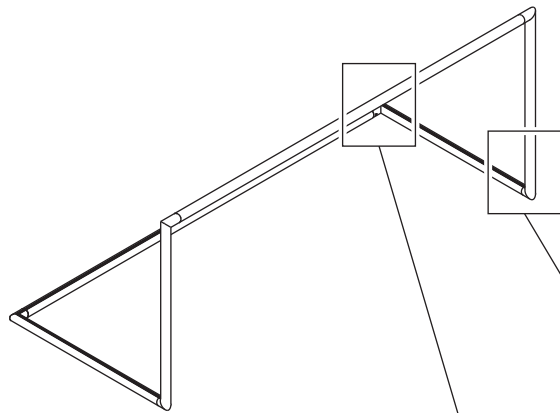


NOTE: ALWAYS MOUNT WHEELS ON OUTSIDE OF GOAL.

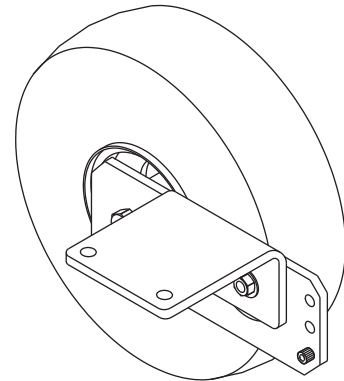
\*\*\*CAUTION\*\*\*

This goal has been designed to be used for the game of soccer only. Goal posts must be anchored AT ALL TIMES and shall be secured against overturning. Do not climb on the net or goal framework at any time! All fastenings must be checked to insure they are fully tightened before and after each use of this product. Goal posts not in use must be disassembled and properly stored in a safe, secure area (See included Guidelines for Movable Soccer Goal Safety.). Assembled goal posts should not be left unattended. Remove nets when goals are not in use. Do not use this equipment during the threat of high winds. Goal posts should be checked for safety before and after each use. All warning and safety labels included with this product must be visible at all times. Any modifications to this or any Kwik Goal product will void any and all warranties.

10. Attach right wheel assemblies to goal as shown, except 2B3706 & 2B3916. 2B3706 & 2B3916 continue to step 11.

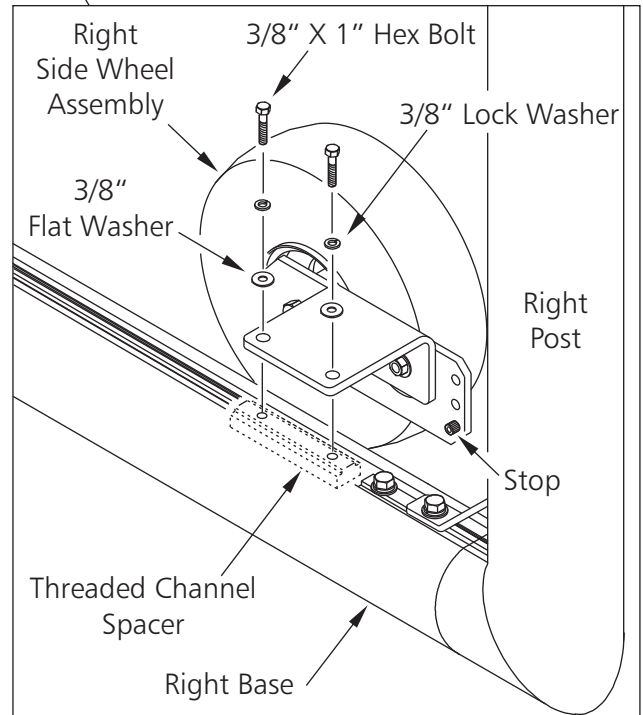
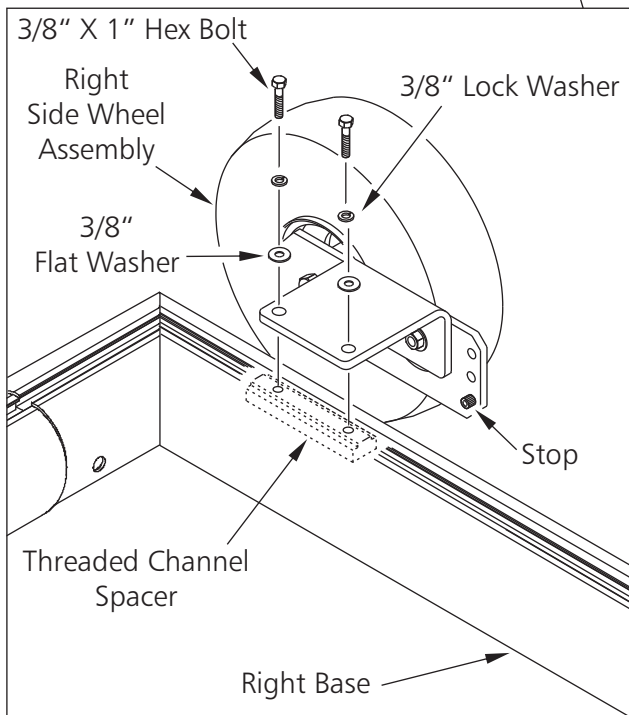


Right Side Wheel Assembly



Rear Right Side Wheel Assembly  
Mount as far back as possible.

Front Right Side Wheel Assembly  
Mount as far front as possible.



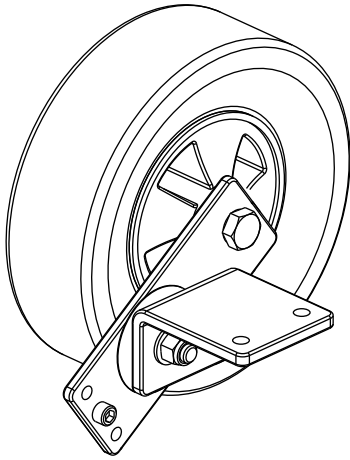
NOTE: ALWAYS MOUNT WHEELS ON OUTSIDE OF GOAL.

\*\*\*CAUTION\*\*\*

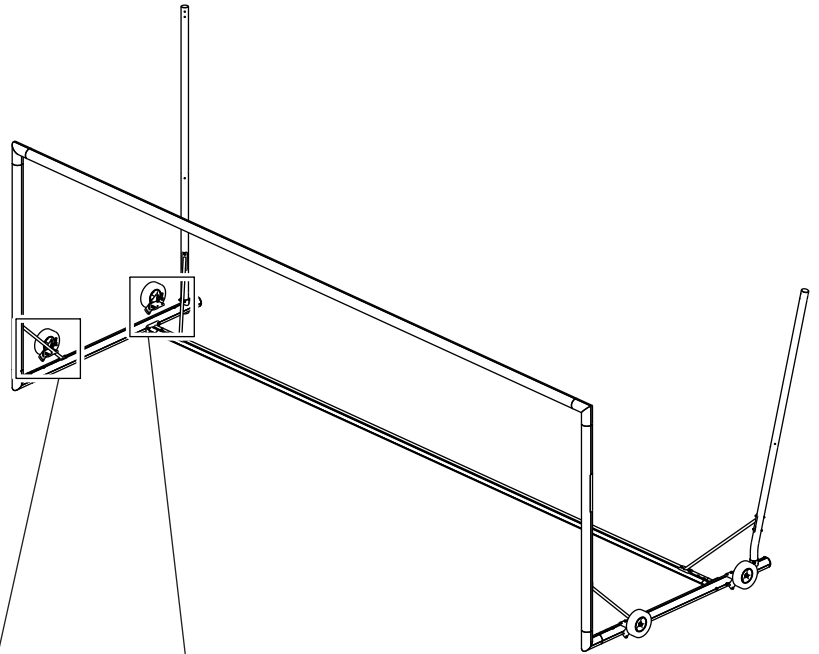
This goal has been designed to be used for the game of soccer only. Goal posts must be anchored AT ALL TIMES and shall be secured against overturning. Do not climb on the net or goal framework at any time! All fastenings must be checked to insure they are fully tightened before and after each use of this product. Goal posts not in use must be disassembled and properly stored in a safe, secure area (See included Guidelines for Movable Soccer Goal Safety.). Assembled goal posts should not be left unattended. Remove nets when goals are not in use. Do not use this equipment during the threat of high winds. Goal posts should be checked for safety before and after each use. All warning and safety labels included with this product must be visible at all times. Any modifications to this or any Kwik Goal product will void any and all warranties.

11. Attach left wheel assemblies to 2B3706 & 2B3916 Goals as shown.

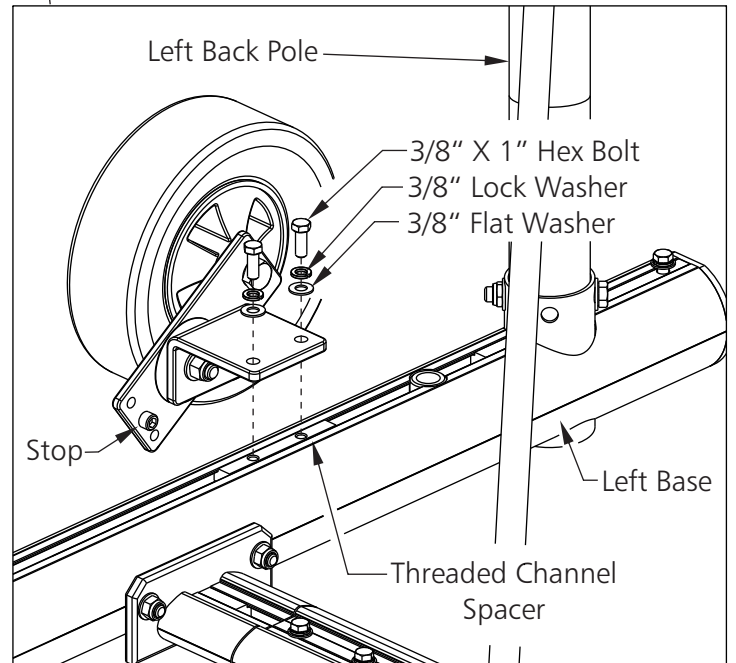
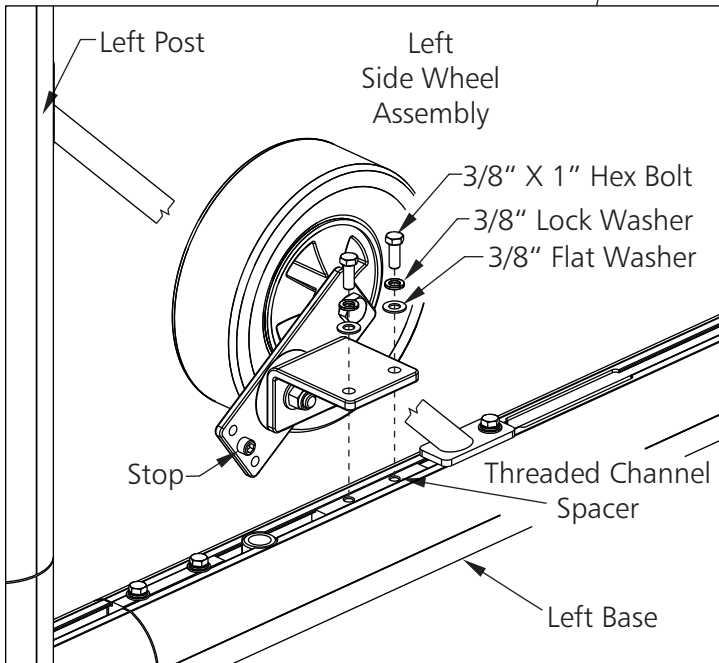
### Left Side Wheel Assembly



Front Left Side Wheel Assembly  
Mount as far front as possible.



Rear Left Side Wheel Assembly  
Mount as far back as possible.

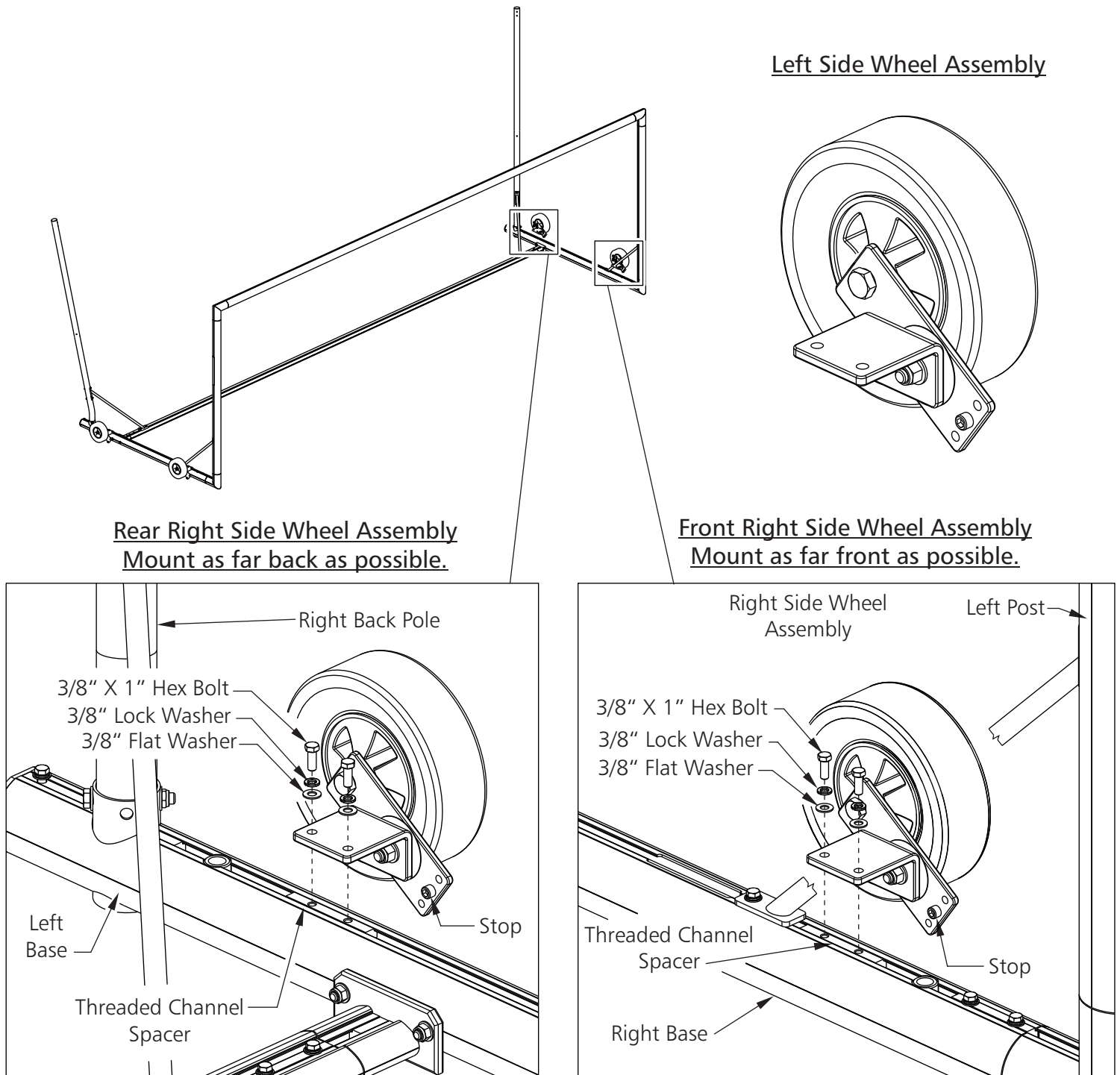


NOTE: ALWAYS MOUNT WHEELS ON OUTSIDE OF GOAL.

### \*\*\*CAUTION\*\*\*

This goal has been designed to be used for the game of soccer only. Goal posts must be anchored AT ALL TIMES and shall be secured against overturning. Do not climb on the net or goal framework at any time! All fastenings must be checked to insure they are fully tightened before and after each use of this product. Goal posts not in use must be disassembled and properly stored in a safe, secure area (See included Guidelines for Movable Soccer Goal Safety.). Assembled goal posts should not be left unattended. Remove nets when goals are not in use. Do not use this equipment during the threat of high winds. Goal posts should be checked for safety before and after each use. All warning and safety labels included with this product must be visible at all times. Any modifications to this or any Kwik Goal product will void any and all warranties.

12. Attach right wheel assemblies to 2B3706 & 2B3916 Goal as shown.



Rear Right Side Wheel Assembly  
Mount as far back as possible.

Front Right Side Wheel Assembly  
Mount as far front as possible.

NOTE: ALWAYS MOUNT WHEELS ON OUTSIDE OF GOAL.

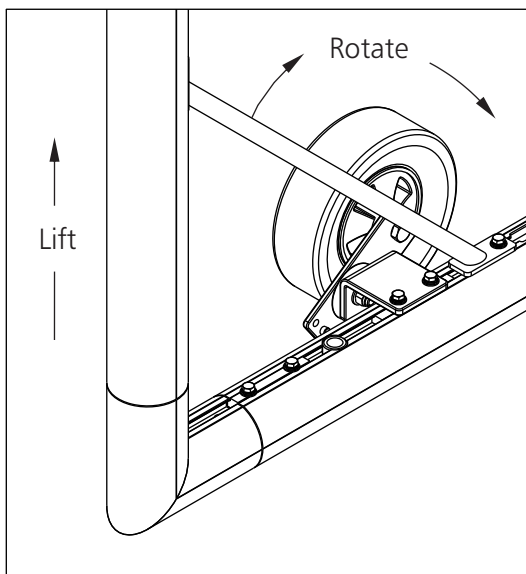
**\*\*\*CAUTION\*\*\***

This goal has been designed to be used for the game of soccer only. Goal posts must be anchored AT ALL TIMES and shall be secured against overturning. Do not climb on the net or goal framework at any time! All fastenings must be checked to insure they are fully tightened before and after each use of this product. Goal posts not in use must be disassembled and properly stored in a safe, secure area (See included Guidelines for Movable Soccer Goal Safety.). Assembled goal posts should not be left unattended. Remove nets when goals are not in use. Do not use this equipment during the threat of high winds. Goal posts should be checked for safety before and after each use. All warning and safety labels included with this product must be visible at all times. Any modifications to this or any Kwik Goal product will void any and all warranties.

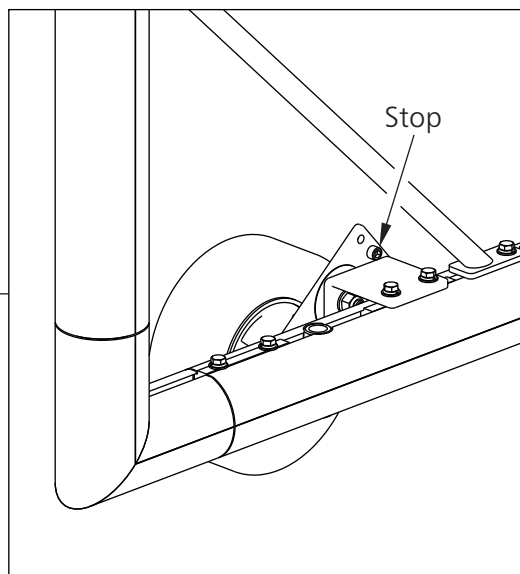
13. Lift goal and rotate wheels into the down position to move goal.

### Left Side Wheels

Wheel in up position for play.

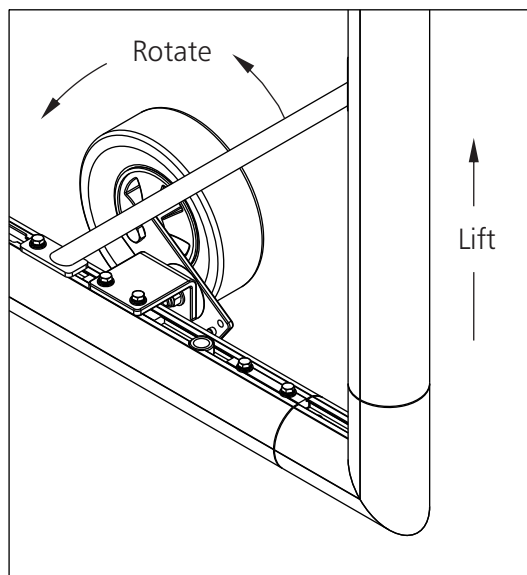


Wheel in down position to move goal.

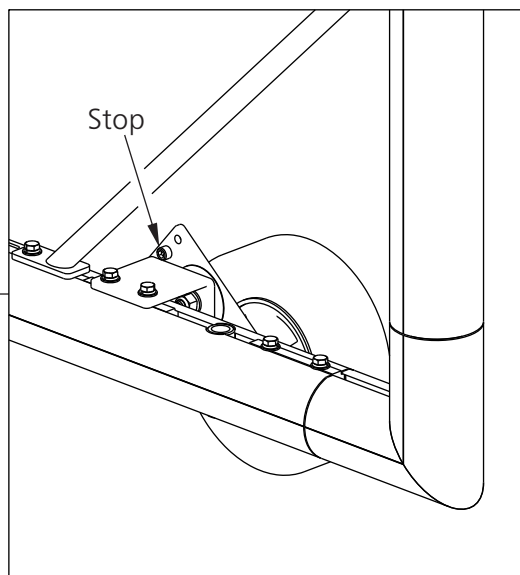


### Right Side Wheels

Wheel in up position for play.



Wheel in down position to move goal.



14. Anchor goal when finished.

Go to [kwikgoal.com](http://kwikgoal.com) for additional product information.

### \*\*\*CAUTION\*\*\*

This goal has been designed to be used for the game of soccer only. Goal posts must be anchored AT ALL TIMES and shall be secured against overturning. Do not climb on the net or goal framework at any time! All fastenings must be checked to insure they are fully tightened before and after each use of this product. Goal posts not in use must be disassembled and properly stored in a safe, secure area (See included Guidelines for Movable Soccer Goal Safety.). Assembled goal posts should not be left unattended. Remove nets when goals are not in use. Do not use this equipment during the threat of high winds. Goal posts should be checked for safety before and after each use.

All warning and safety labels included with this product must be visible at all times.  
Any modifications to this or any Kwik Goal product will void any and all warranties.