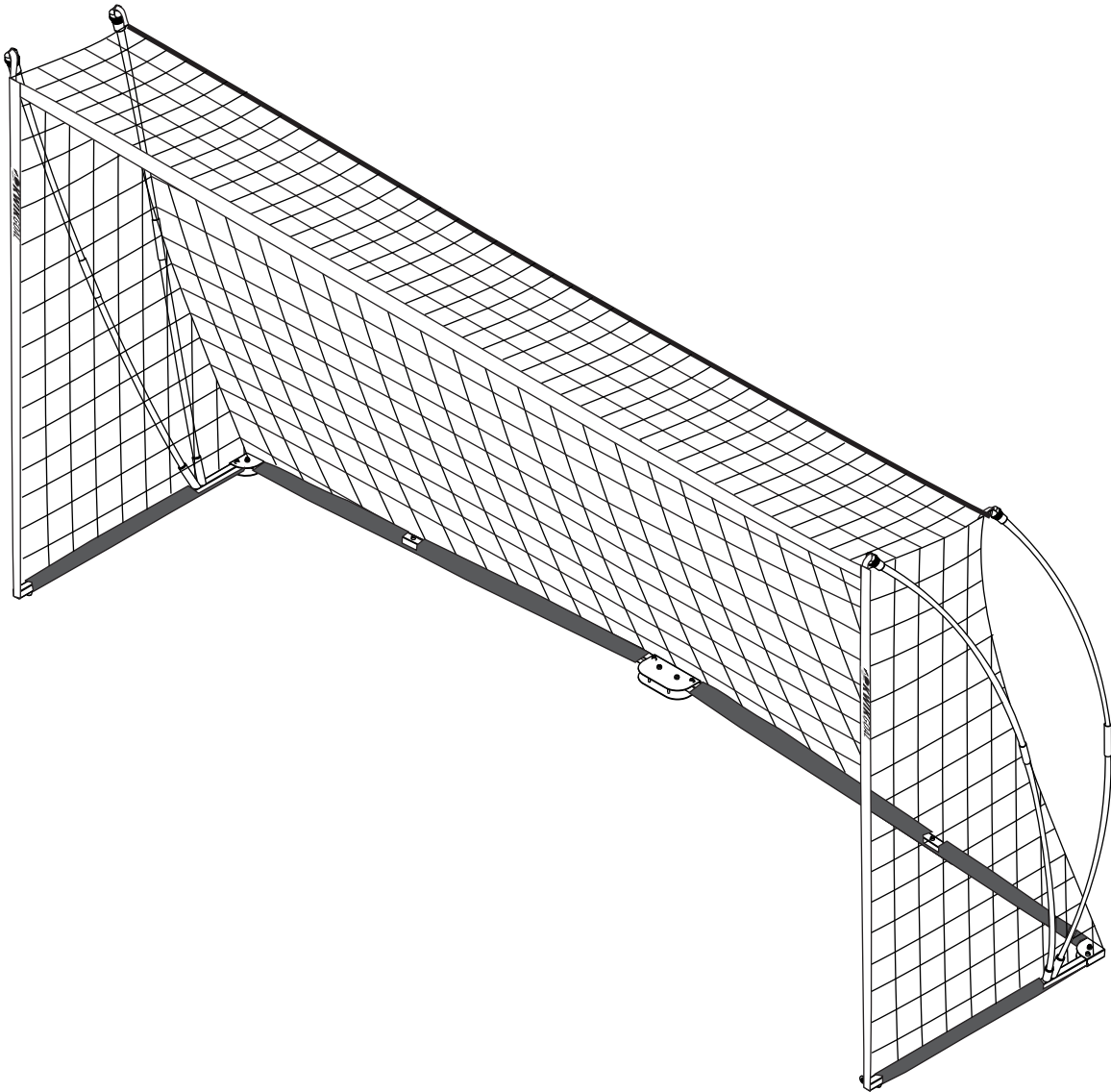




## ASSEMBLY INSTRUCTIONS FOR 2P1901 KWIK FLEX® FUTSAL GOAL

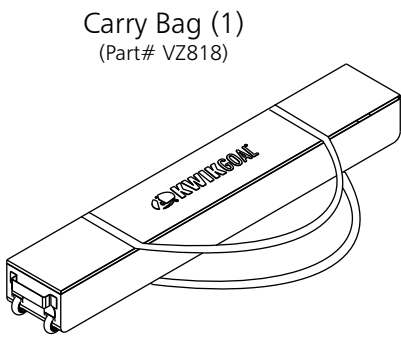
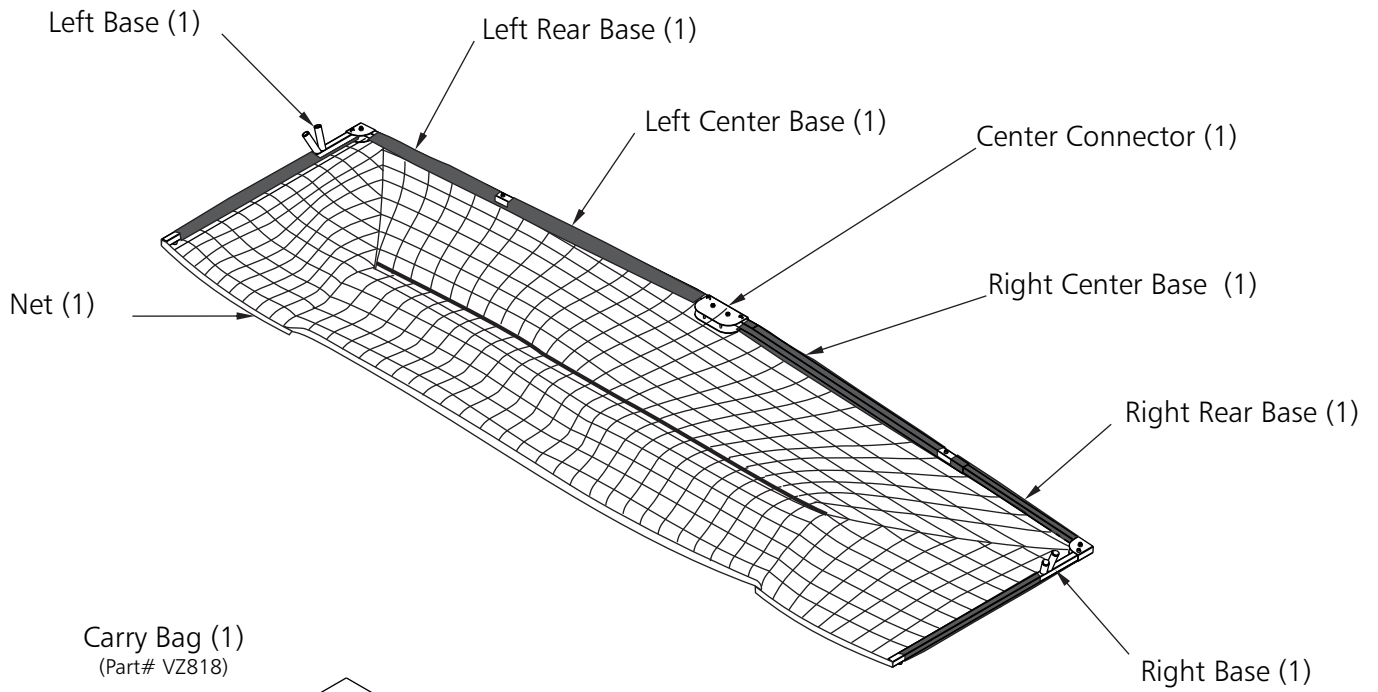
1. Unpack all parts and check for damage that may have occurred during shipping. If damage has occurred, notify Kwik Goal immediately. Lay out all parts. Remove all cardboard and packaging immediately. Wet or damp packaging may damage contents.



### \*\*\*CAUTION\*\*\*

Sports equipment not in use must be disassembled and stored in a safe, secure place. Assembled sports equipment should not be left unattended. Sports equipment should be checked for safety on a regular basis. Any modifications to this or any Kwik Goal product will void any and all warranties.

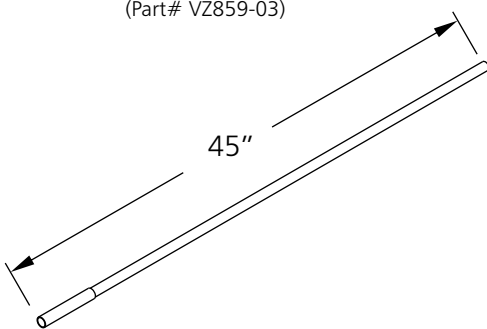
Parts



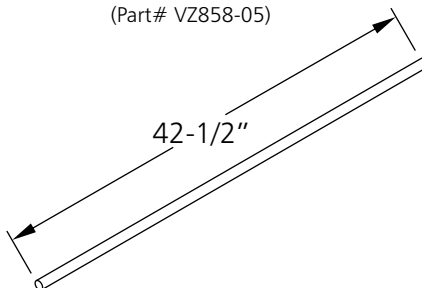
"J" Anchor (4)



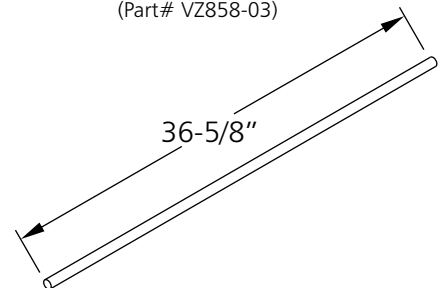
Bottom Tension Rod (4)  
(Part# VZ859-03)



Front Tension Rod (2)  
(Part# VZ858-05)



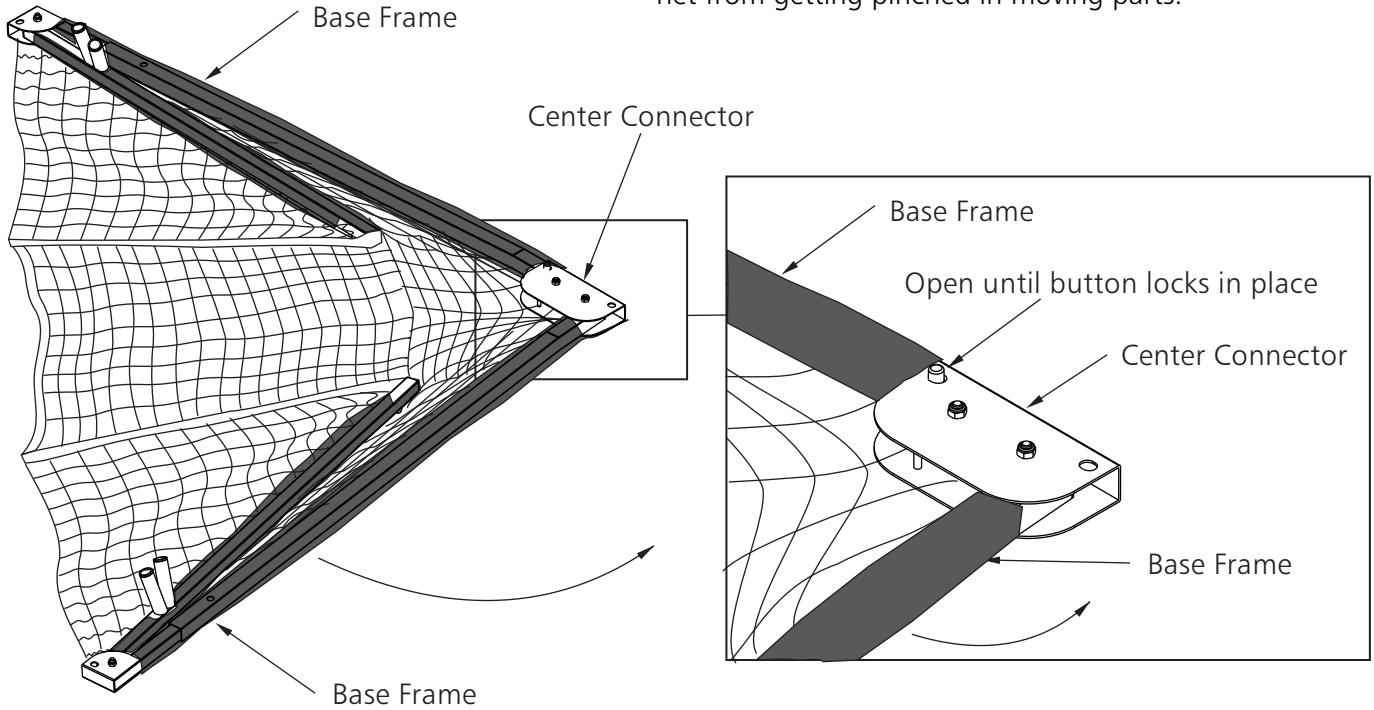
Rear Tension Rod (2)  
(Part# VZ858-03)



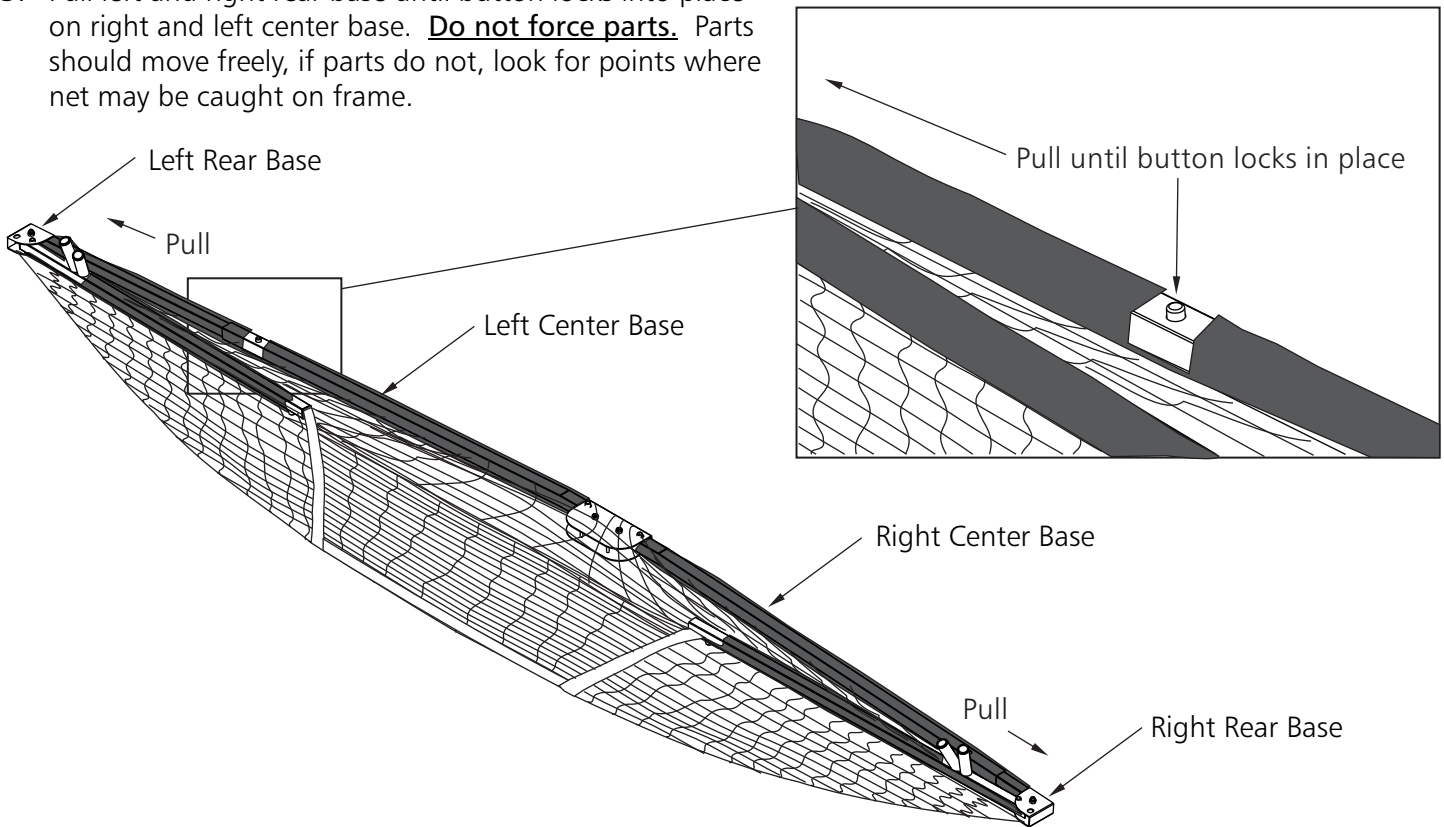
**\*\*\*CAUTION\*\*\***

Sports equipment not in use must be disassembled and stored in a safe, secure place. Assembled sports equipment should not be left unattended. Sports equipment should be checked for safety on a regular basis. Any modifications to this or any Kwik Goal product will void any and all warranties.

- Open base frame by swinging outward until button locks in place in center connector as shown. Use care to keep net from getting pinched in moving parts.



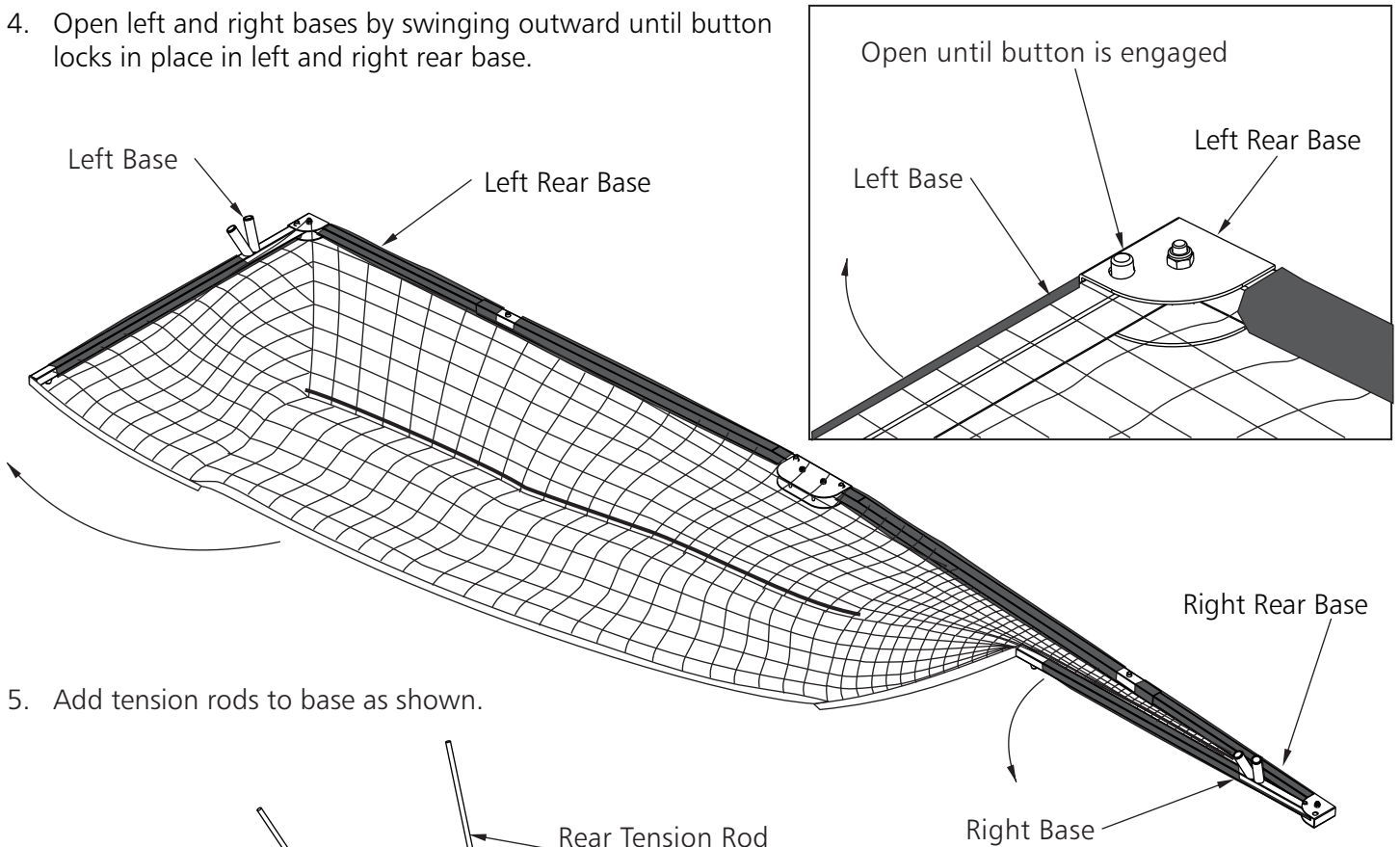
- Pull left and right rear base until button locks into place on right and left center base. **Do not force parts.** Parts should move freely, if parts do not, look for points where net may be caught on frame.



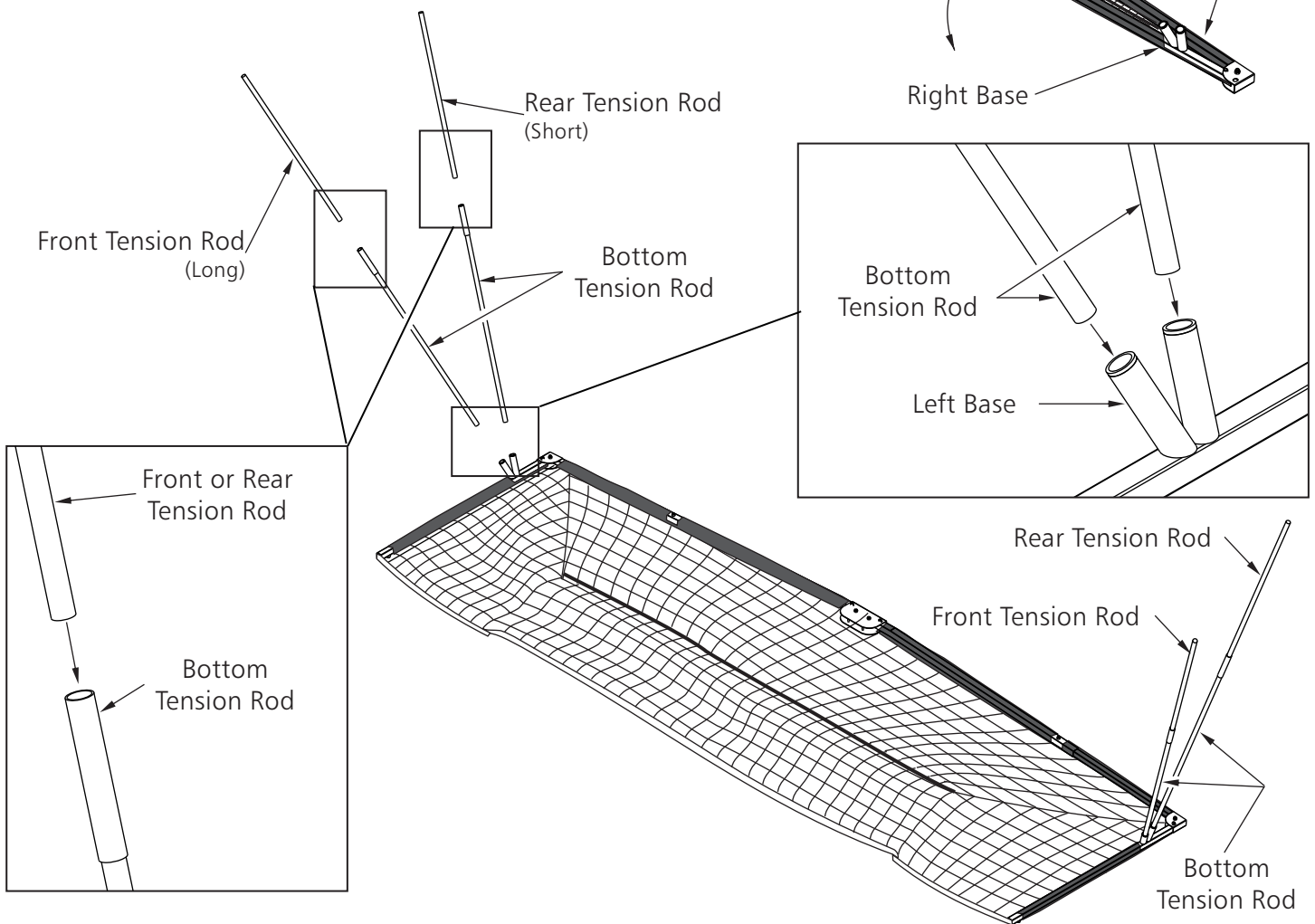
\*\*\*CAUTION\*\*\*

Sports equipment not in use must be disassembled and stored in a safe, secure place. Assembled sports equipment should not be left unattended. Sports equipment should be checked for safety on a regular basis. Any modifications to this or any Kwik Goal product will void any and all warranties.

4. Open left and right bases by swinging outward until button locks in place in left and right rear base.



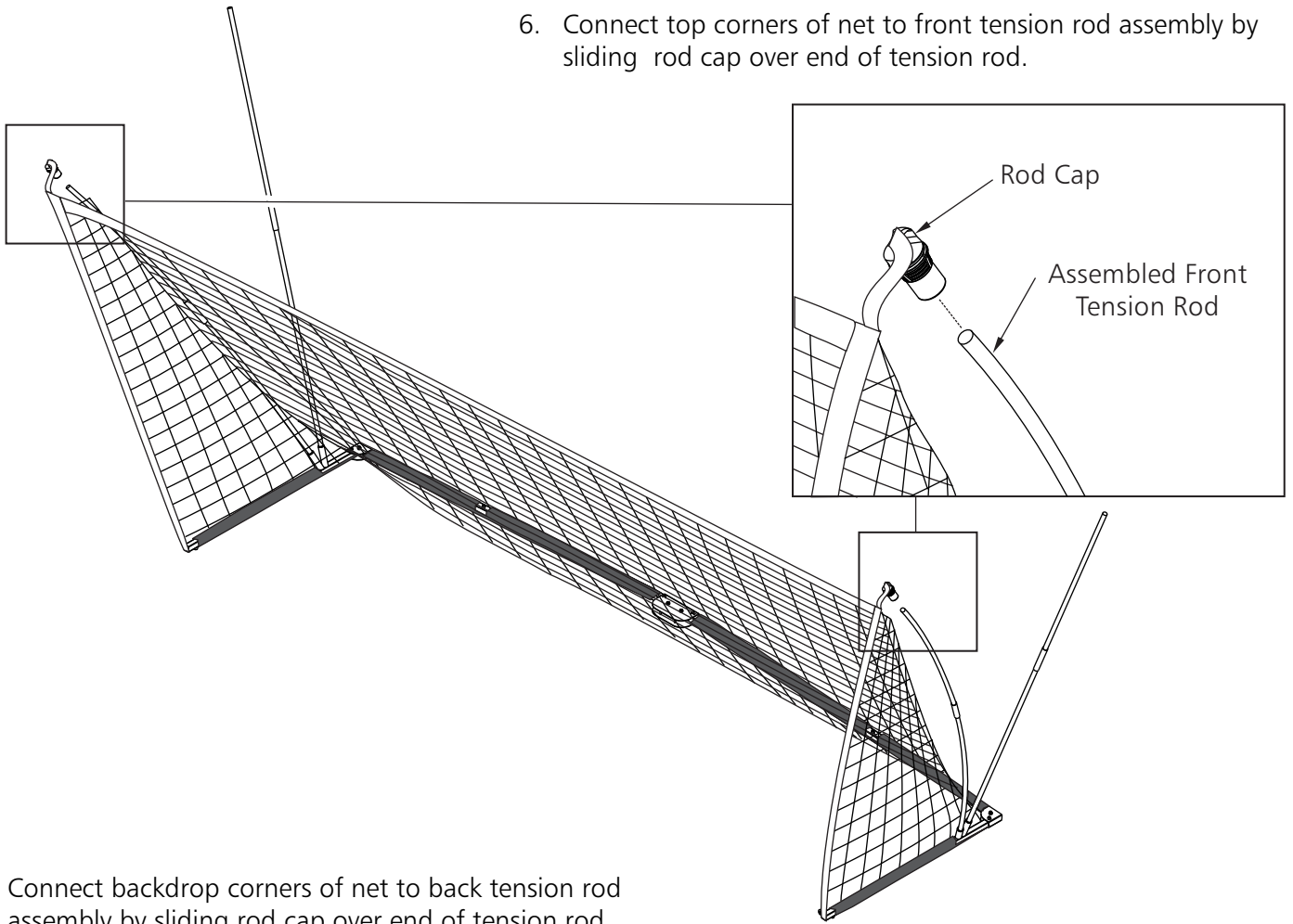
5. Add tension rods to base as shown.



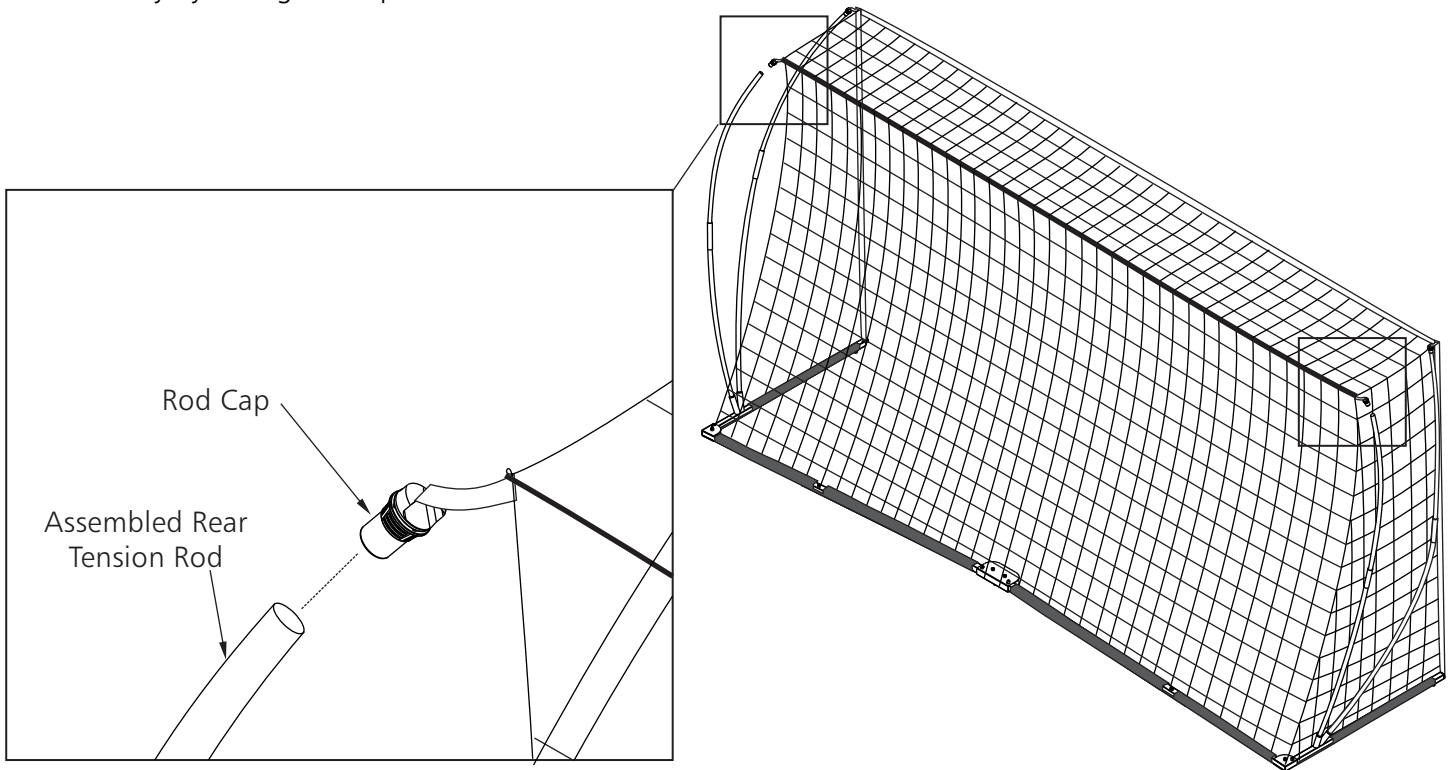
\*\*\*CAUTION\*\*\*

Sports equipment not in use must be disassembled and stored in a safe, secure place. Assembled sports equipment should not be left unattended. Sports equipment should be checked for safety on a regular basis. Any modifications to this or any Kwik Goal product will void any and all warranties.

6. Connect top corners of net to front tension rod assembly by sliding rod cap over end of tension rod.



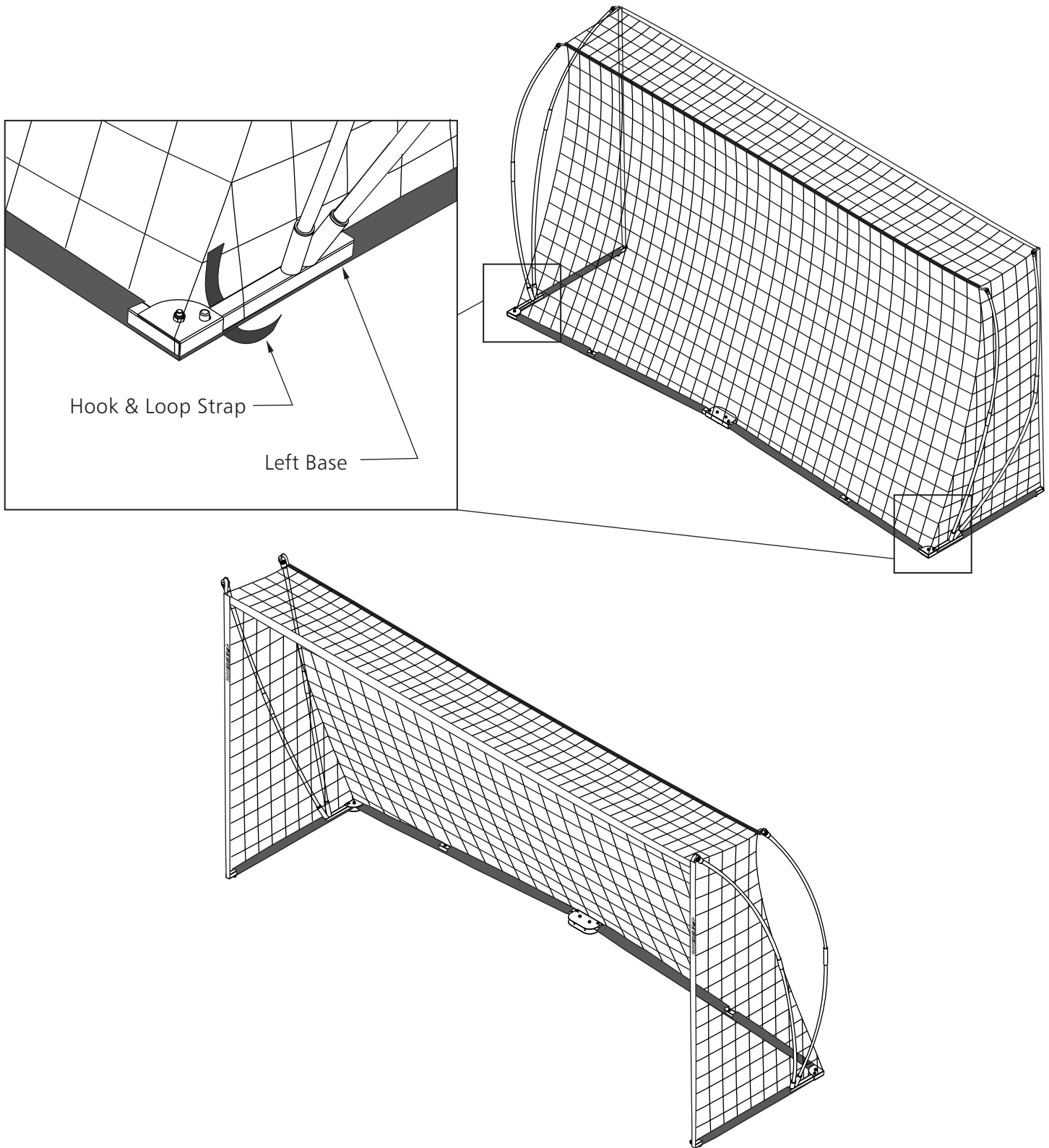
7. Connect backdrop corners of net to back tension rod assembly by sliding rod cap over end of tension rod.



\*\*\*CAUTION\*\*\*

Sports equipment not in use must be disassembled and stored in a safe, secure place. Assembled sports equipment should not be left unattended. Sports equipment should be checked for safety on a regular basis. Any modifications to this or any Kwik Goal product will void any and all warranties.

8. Secure corner of net to left and right base with hook & loop straps as shown.



Go to [kwikgoal.com](http://kwikgoal.com) for additional product information.

**\*\*\*CAUTION\*\*\***

Sports equipment not in use must be disassembled and stored in a safe, secure place. Assembled sports equipment should not be left unattended. Sports equipment should be checked for safety on a regular basis. Any modifications to this or any Kwik Goal product will void any and all warranties.