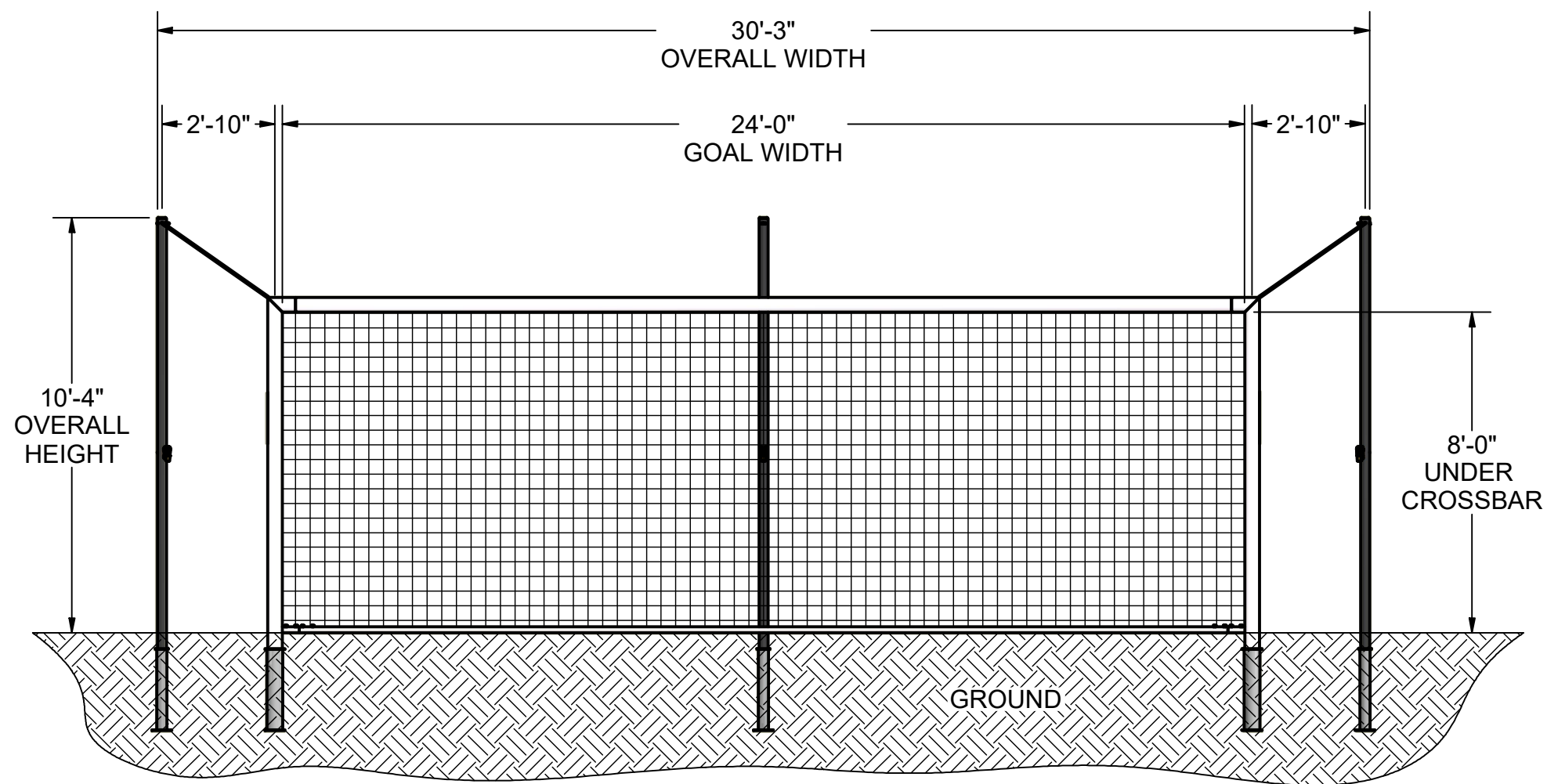
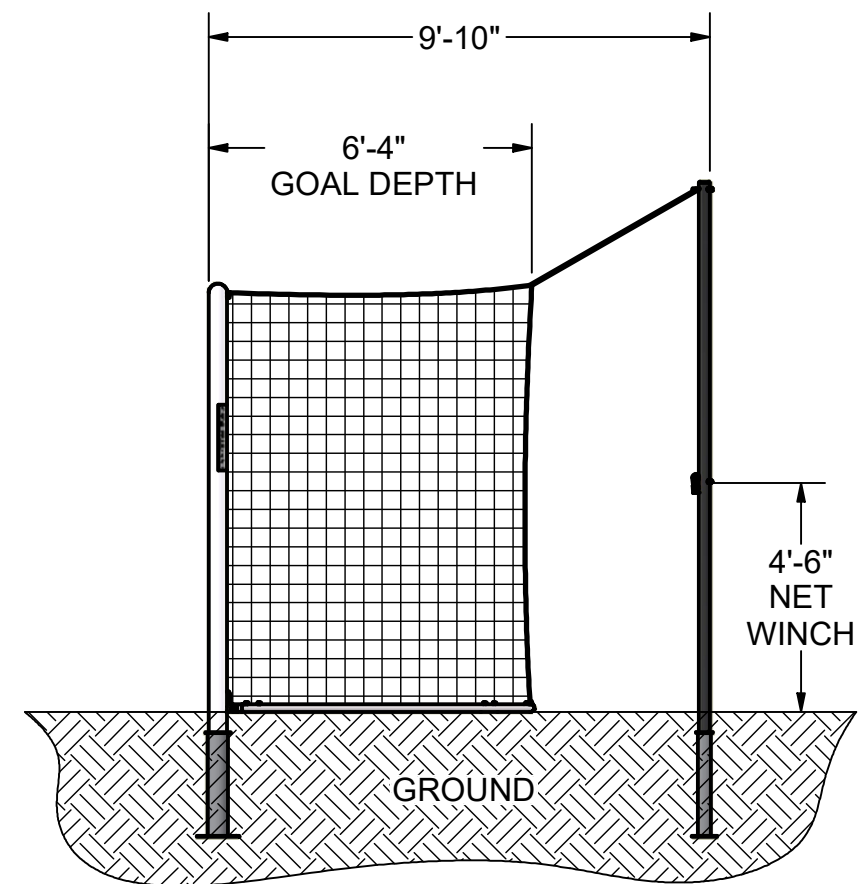


FRONT VIEW

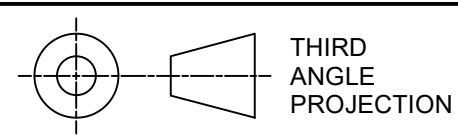


SIDE VIEW



FEATURES:

- 1) ALUMINUM POSTS, CROSSBAR, GROUND FRAME, AND BACK POLES
- 2) FINISH:  
 GOAL FRAME - WHITE POWDER COAT  
 BACK POLES - BLACK POWDER COAT
- 3) INCLUDES:  
 3mm WHITE NET  
 KWIK LOCK® NET CLIPS  
 5 GROUND SLEEVES WITH CAPS  
 WORLD COMPETITION NET FRAME
- 4) ASSEMBLED WEIGHT: 206 LBS.
- 5) INDEPENDENTLY CERTIFIED TO MEET:  
 ASTM F2950-14 STANDARDS  
 GLOBAL QUALITY PROGRAM STANDARDS
- 6) EXCEEDS:  
 NCAA SPECIFICATIONS  
 NFSHSA SPECIFICATIONS



THIRD ANGLE PROJECTION



**KWIKGOAL**®

140 Pacific Drive  
 Quakertown,  
 Pa. 18951

DIMENSIONS ARE IN INCHES UNLESS OTHERWISE SPECIFIED

Approved By:  
 Date:

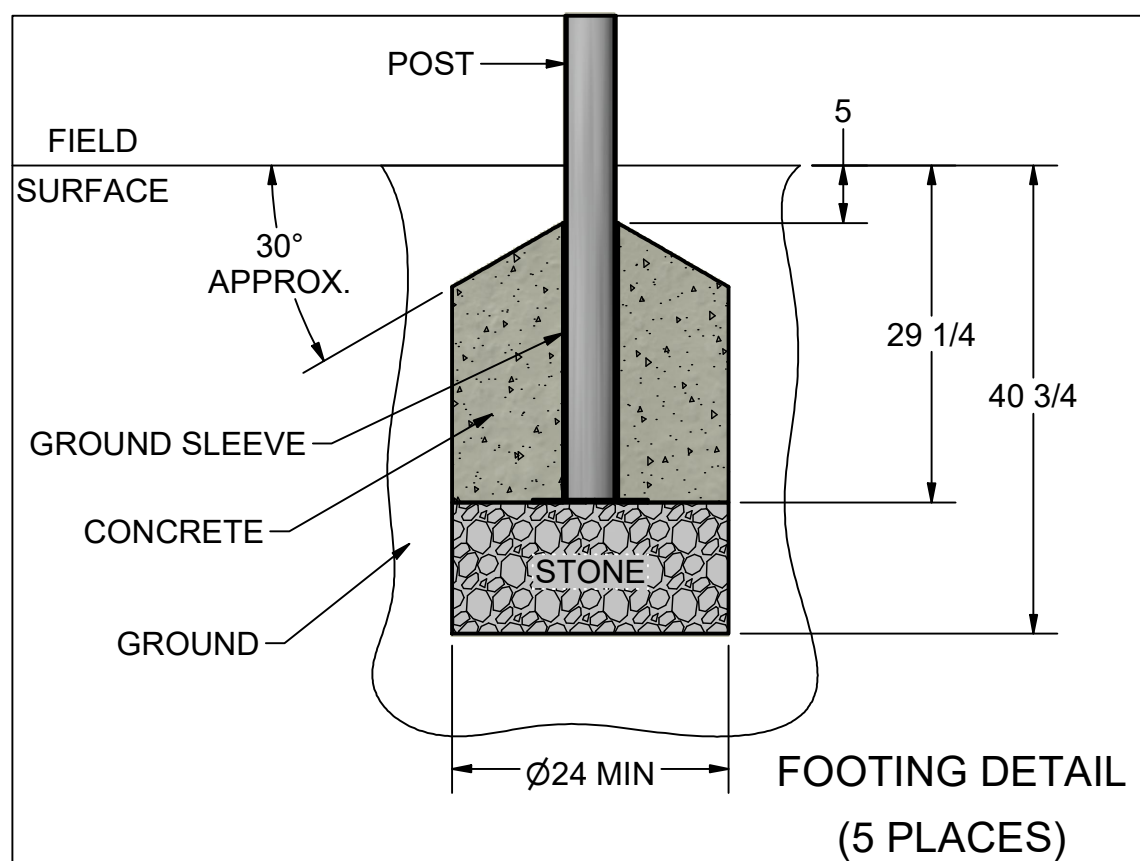
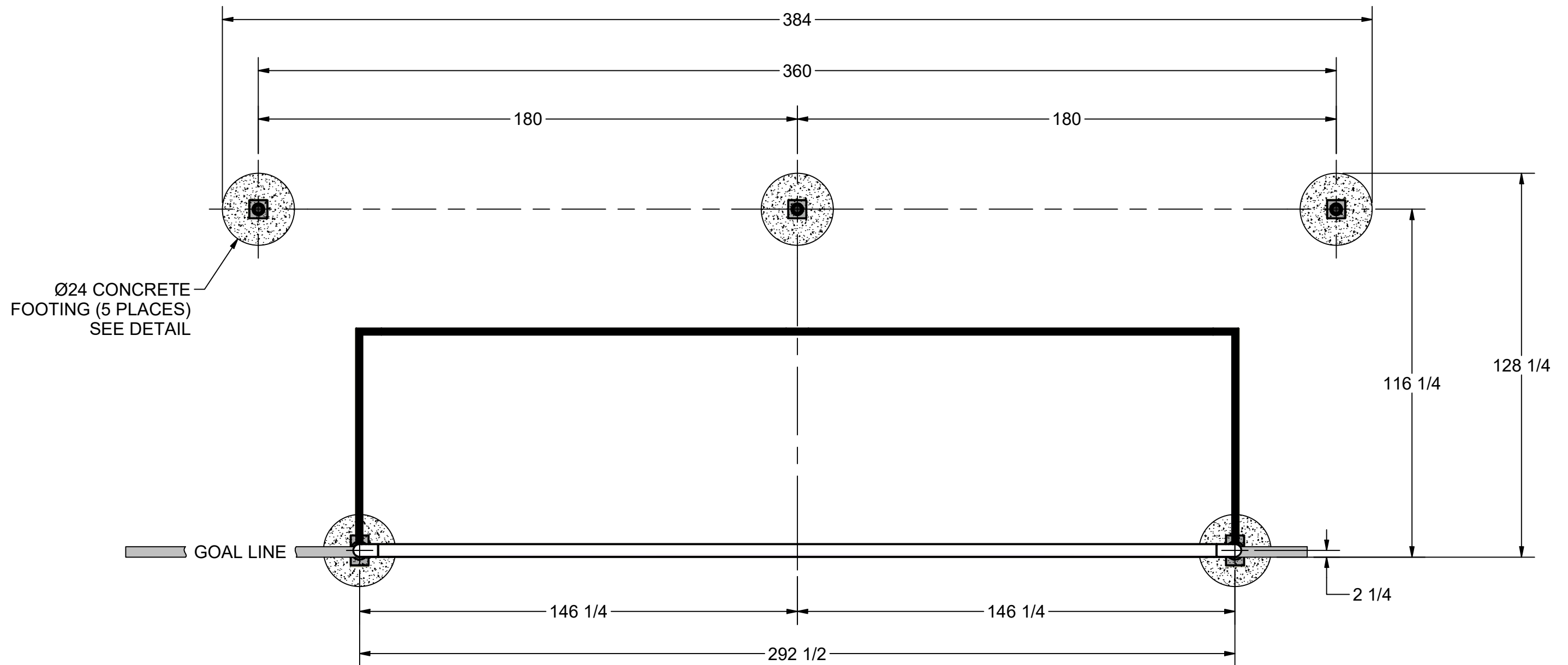
Drawing #: **2B8**

This item is the **confidential** property of **KWIK GOAL LTD.** Reproduction or duplication **without** the express written consent of **KWIK GOAL LTD.** is **strictly forbidden.**

Drawn By: cspeck  
 Date: 8/16/2004  
 Sheet: 1 of 4  
 Revision #: 7  
 Cad File: 2B8.idw

Desc: 8' X 24' PRO PREMIER WORLD COMPETITION GOAL WITH NET FRAME

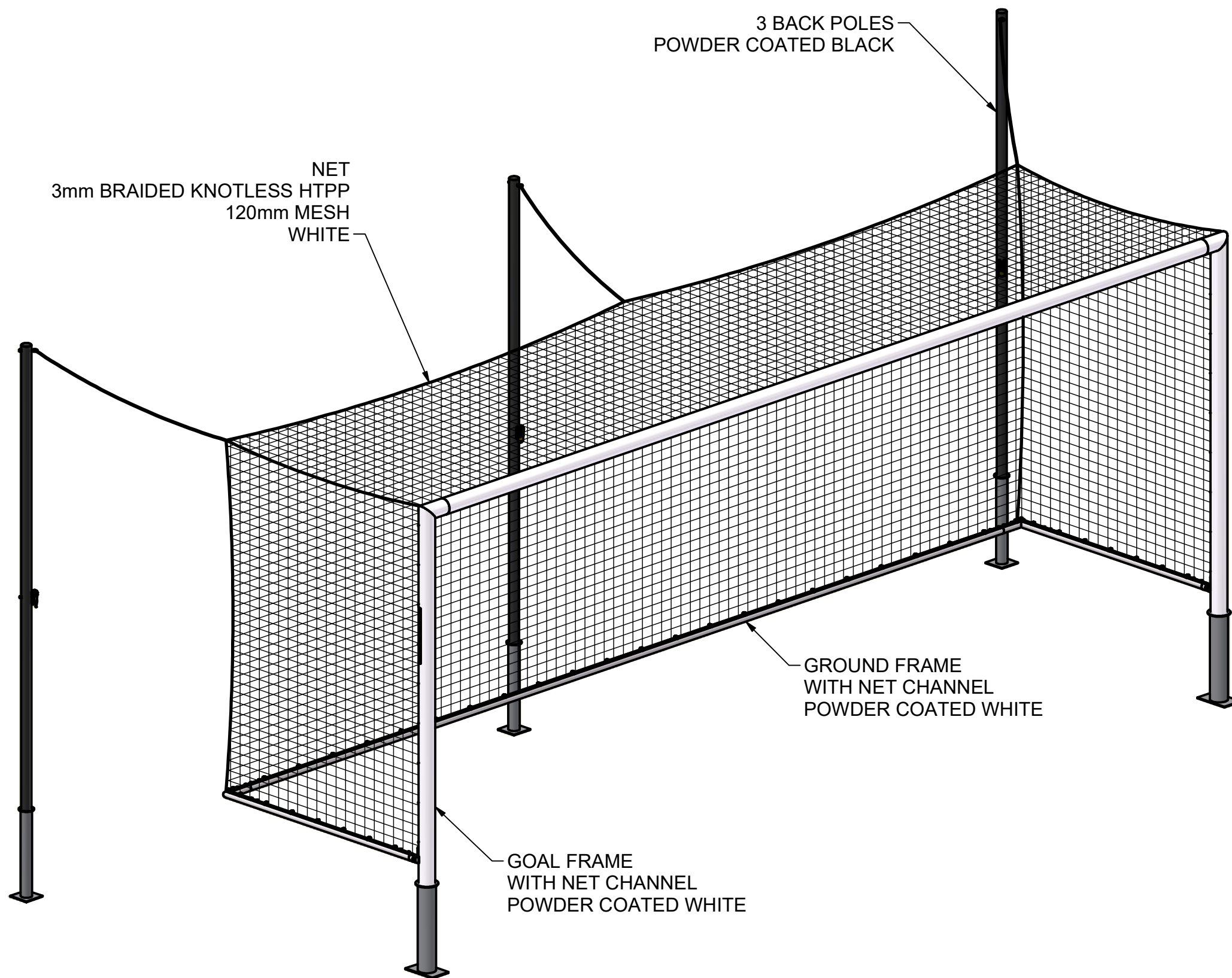
OVERHEAD VIEW



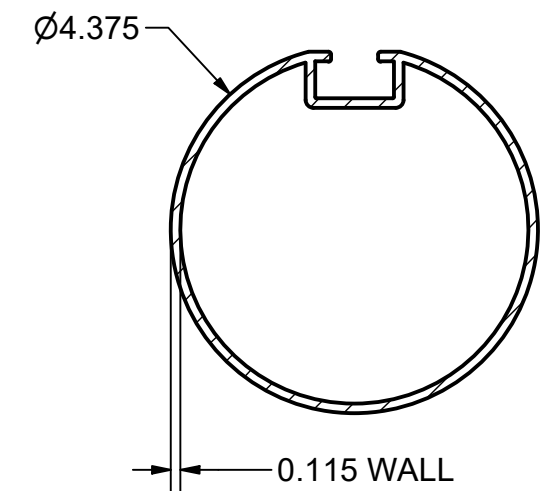
NOTES:

- 1) DIMENSIONS ARE FOR PLANNING PURPOSES. INSTALLATION MUST BE IN ACCORDANCE WITH INSTALLATION INSTRUCTIONS.
- 2) CUSTOMER SUPPLIED MATERIALS FOR GOAL INSTALLATION  
 1.0 cubic yard - CONCRETE  
 0.6 cubic yard - CLEAN STONE (1/4" - 3/4")  
 ABOVE AMOUNTS ARE PER GOAL INSTALLATION

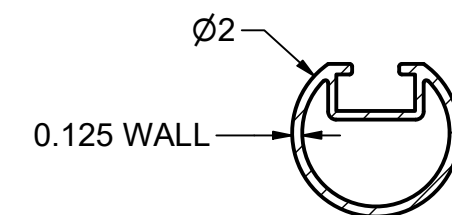
<p>THIRD ANGLE PROJECTION</p>	<p>140 Pacific Drive Quakertown, Pa. 18951</p>	
	DIMENSIONS ARE IN INCHES UNLESS OTHERWISE SPECIFIED	Approved By: Date:
This item is the <b>confidential</b> property of <b>KWIK GOAL LTD.</b> Reproduction or duplication <b>without</b> the express written consent of <b>KWIK GOAL LTD.</b> is <b>strictly forbidden.</b>	Drawn By: cspeck	Desc: 8' X 24' PRO PREMIER WORLD COMPETITION GOAL WITH NET FRAME
	Date: 8/16/2004	
	Sheet: 2 of 4	
	Revision #: 7	
	Cad File: 2B8.idw	



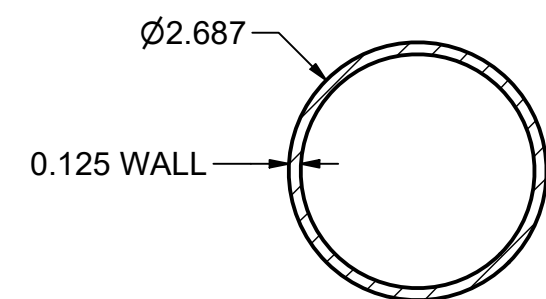
### MATERIAL DETAILS



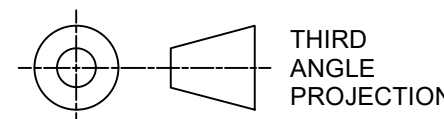
POSTS AND CROSSBAR  
MATERIAL - ALUMINUM



GROUND FRAME  
MATERIAL - ALUMINUM



BACK POLES  
MATERIAL - ALUMINUM



**KWIKGOAL**® 140 Pacific Drive  
Quakertown,  
Pa. 18951

DIMENSIONS ARE IN INCHES  
UNLESS OTHERWISE SPECIFIED

Approved By:

Drawing #:

Date:

2B8

This item is the **confidential**  
property of **KWIK GOAL LTD.**  
Reproduction or duplication  
**without** the express written  
consent of **KWIK GOAL LTD.**  
is **strictly forbidden.**

Drawn By: cspeck

Desc:

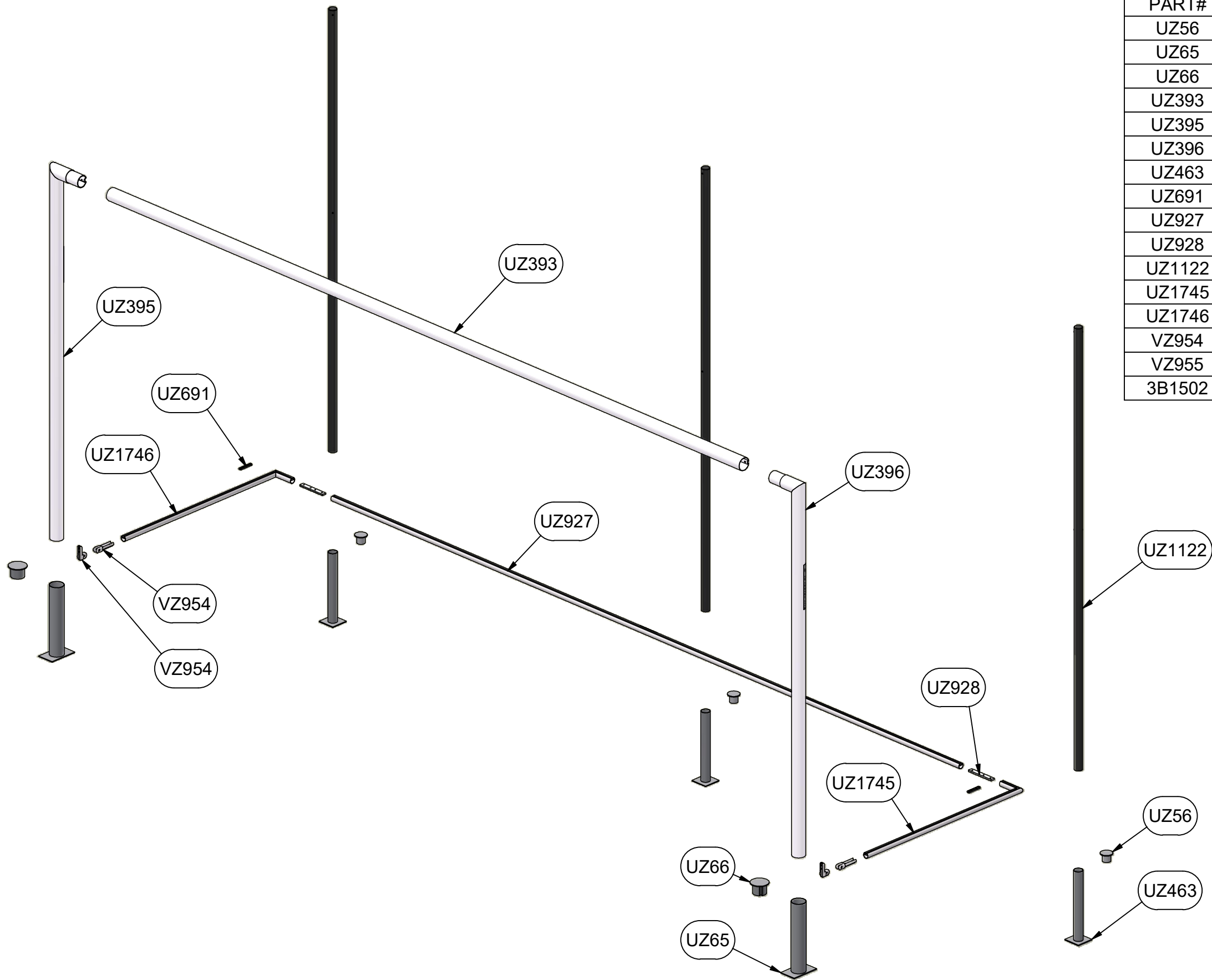
Date: 8/16/2004

8' X 24' PRO PREMIER  
WORLD COMPETITION  
GOAL WITH NET FRAME

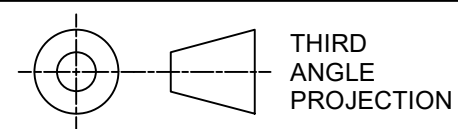
Sheet: 3 of 4

Revision #: 7

Cad File: 2B8.idw



PARTS LIST		
PART#	QTY	DESCRIPTION
UZ56	3	GROUND SLEEVE CAP
UZ65	2	GROUND SLEEVE
UZ66	2	GROUND SLEEVE CAP
UZ393	1	CROSSBAR
UZ395	1	POST LT 2B8 PWDR WHT
UZ396	1	POST RT 2B8 PWDR WHT
UZ463	3	GROUND SLEEVE
UZ691	2	THREADED CHANNEL SPACER
UZ927	1	REAR TUBE, 10B3301
UZ928	2	TUBE CONNECTOR PLATE
UZ1122	3	2B8 BACK POLE
UZ1745	1	RIGHT BASE MATCH GOAL
UZ1746	1	LEFT BASE MATCH GOAL
VZ954	2	GRND FRAME HINGE BASE
VZ955	2	GRND FRAME HINGE 4-3/8" POST
3B1502	1	NET, SOCCER GOAL



THIRD ANGLE PROJECTION

**KWIKGOAL**® 140 Pacific Drive  
Quakertown, Pa. 18951

DIMENSIONS ARE IN INCHES UNLESS OTHERWISE SPECIFIED

Approved By:  
Date:

Drawing #: **2B8**

This item is the **confidential** property of **KWIK GOAL LTD.** Reproduction or duplication **without** the express written consent of **KWIK GOAL LTD.** is **strictly forbidden.**

Drawn By: cspeck  
Date: 8/16/2004  
Sheet: 4 of 4  
Revision #: 7  
Cad File: 2B8.idw

Desc: 8' X 24' PRO PREMIER WORLD COMPETITION GOAL WITH NET FRAME